

**IMPORTANT:
Read Before Using**

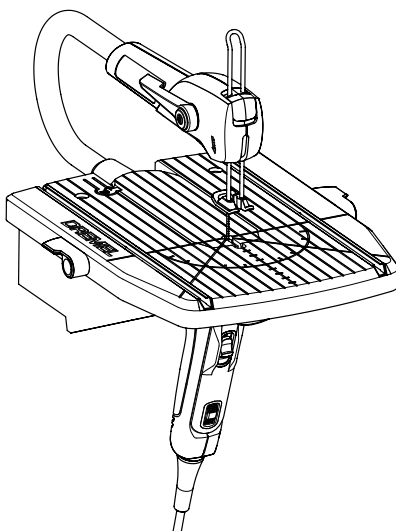
**IMPORTANT :
Lire avant usage**

**IMPORTANTE:
Leer antes de usar**



**Operating/Safety Instructions
Consignes de fonctionnement/sécurité
Instrucciones de funcionamiento y seguridad**

MS20



DREMEL®

P.O. Box 081126 Racine, WI 53408-1126

**Call Toll Free for
Consumer Information
& Service Locations**

**Pour obtenir des informations
et les adresses de nos centres
de service après-vente,
appelez ce numéro gratuit**

**Llame gratis para
obtener información
para el consumidor y
ubicaciones de servicio**

1-800-4-DREMEL (1-800-437-3635) www.dremel.com

**For English Version
See page 2**

**Version française
Voir page 20**

**Versión en español
Ver la página 38**

General Power Tool Safety Warnings



WARNING

Read all safety warnings and instructions. Failure to follow the warnings and instructions may result in electric shock, fire and/or serious injury.

SAVE ALL WARNINGS AND INSTRUCTIONS FOR FUTURE REFERENCE

The term “power tool” in the warnings refers to your mains-operated (corded) power tool or battery-operated (cordless) power tool.

Work area safety

Keep work area clean and well lit. Cluttered or dark areas invite accidents.

Do not operate power tools in explosive atmospheres, such as in the presence of flammable liquids, gases or dust. Power tools create sparks which may ignite the dust or fumes.

Keep children and bystanders away while operating a power tool. Distractions can cause you to lose control.

Electrical safety

Power tool plugs must match the outlet. Never modify the plug in any way. Do not use any adapter plugs with earthed (grounded) power tools. Unmodified plugs and matching outlets will reduce risk of electric shock.

Avoid body contact with earthed or grounded surfaces such as pipes, radiators, ranges and refrigerators. There is an increased risk of electric shock if your body is earthed or grounded.

Do not expose power tools to rain or wet conditions. Water entering a power tool will increase the risk of electric shock.

Do not abuse the cord. Never use the cord for carrying, pulling or unplugging the power tool. Keep cord away from heat, oil, sharp edges or moving parts. Damaged or entangled cords increase the risk of electric shock.

When operating a power tool outdoors, use an extension cord suitable for outdoor use. Use of a cord suitable for outdoor use reduces the risk of electric shock.

If operating the power tool in a damp location is unavoidable, use a Ground Fault Circuit Interrupter (GFCI) protected supply. Use of a GFCI reduce the risk of electric shock.

Personal safety

Stay alert, watch what you are doing and use common sense when operating a

power tool. Do not use a power tool while you are tired or under the influence of drugs, alcohol or medication. A moment of inattention while operating power tools may result in serious personal injury.

Use personal protective equipment. Always wear eye protection. Protective equipment such as dust mask, non-skid safety shoes, hard hat, or hearing protection used for appropriate conditions will reduce personal injuries.

Prevent unintentional starting. Ensure the switch is in the off-position before connecting to power source and / or battery pack, picking up or carrying the tool. Carrying power tools with your finger on the switch or energizing power tools that have the switch on invites accidents.

Remove any adjusting key or wrench before turning the power tool on. A wrench or a key left attached to a rotating part of the power tool may result in personal injury.

Do not overreach. Keep proper footing and balance at all times. This enables better control of the power tool in unexpected situations.

Dress properly. Do not wear loose clothing or jewelry. Keep your hair, clothing and gloves away from moving parts. Loose clothes, jewelry or long hair can be caught in moving parts.

If devices are provided for the connection of dust extraction and collection facilities, ensure these are connected and properly used. Use of dust collection can reduce dust-related hazards.

Power tool use and care

Do not force the power tool. Use the correct power tool for your application. The correct power tool will do the job better and safer at the rate for which it was designed.

Do not use the power tool if the switch does not turn it on and off. Any power tool that cannot be controlled with the switch is dangerous and must be repaired.

Disconnect the plug from the power source and/or the battery pack from the power tool before making any adjustments, changing accessories, or storing power tools. Such preventive safety measures reduce the risk of starting the power tool accidentally.

Store idle power tools out of the reach of children and do not allow persons unfamiliar with the power tool or these instructions to operate the power tool. Power tools are dangerous in the hands of untrained users.

Maintain power tools. Check for misalignment or binding of moving parts, breakage of parts and any other condition that may affect the power tool's operation. If damaged, have the power tool repaired before use. Many accidents are caused by poorly maintained power tools.

Keep cutting tools sharp and clean. Properly maintained cutting tools with sharp cutting edges are less likely to bind and are easier to control.

Use the power tool, accessories and tool bits etc. in accordance with these instructions, taking into account the working conditions and the work to be performed. Use of the power tool for operations different from those intended could result in a hazardous situation.

Service

Have your power tool serviced by a qualified repair person using only identical replacement parts. This will ensure that the safety of the power tool is maintained.

Safety Rules for Coping Saw

Hold power tool by insulated gripping surfaces, when performing an operation where the cutting accessory may contact hidden wiring or its own cord. Cutting accessory contacting a "live" wire may make exposed metal parts of the power tool "live" and could give the operator an electric shock.

Use clamps or another practical way to secure and support the workpiece to a stable platform. Holding the work by hand or against your body leaves it unstable and may lead to loss of control.

Never leave the switch in "ON" position. Before plugging the tool in, check that the switches are "OFF". Accidental start-ups could cause injury.

Keep hands away from cutting area. Do not reach under the material being cut. The proximity of the blade to your hand may be hidden from your sight.

Keep hands away from the space between the gear housing and saw blade holder. The reciprocating blade holder can pinch your fingers.

Use only Dremel Moto-Saw blades. Use the right blade size, style and cutting speed for the material and the type of cut. Using the proper blade minimizes the risk of breakage.

Do not use dull or damaged blades. Dull blades can bend and break easily potentially striking the operator.

Before starting to cut, turn tool "ON" and allow the blade to come to full speed. Tool can chatter or vibrate if blade speed is too slow at beginning of cut and may cause a loss of control.

Make certain all adjusting screws and the blade holder are tight before making a cut. Loose adjusting screws and holders can cause the tool or blade to slip and loss of control may result.

When removing the blade from the tool avoid contact with skin and use proper protective gloves when grasping the blade or accessory. Accessories may be hot after prolonged use and present a burn hazard.

Safety Rules for the Saw Station

Never leave tool running unattended. Turn power off. Don't leave tool until it comes to a complete stop.

Never leave the switch in "ON" position. Before plugging the tool in, check that the switches are "OFF". Accidental start-ups may cause injury.

Avoid awkward operations and hand positions and always make sure you have good balance. A sudden slip could cause your hand to move into the blade.

Firmly clamp or bolt your saw station to a stable, level workbench or table. The most comfortable table height is approximately waist height.

Never stand on tool. Injury may occur if the tool is tipped or if the blade is unintentionally contacted.

Before making a cut, be sure all adjustments are secure. Loose table or guards could shift in use and cause you to lose control of the workpiece.

Always adjust drop foot to just clear the workpiece. Proper adjustment of the drop foot will stabilize the workpiece, help protect your fingers, and minimize blade breakage.

Always support large workpieces while cutting to minimize risk of blade pinching and loss of control. A heavy workpiece may cause the table to slip, walk or slide while cutting.

Be sure the blade path is free of nails. Inspect for and remove nails from lumber or workpiece before cutting or sanding.

Keep hands away from cutting area. Do not hand-hold pieces so small that your fingers go under the drop foot. Do not reach underneath work or in blade cutting path with your hands and fingers for any reason. Close hand proximity to the blade may result in blade contact and injury.

Never start the tool when the blade is in contact with the workpiece. Allow the motor to come up to full speed before starting a cut. Having the blade in contact with the workpiece on start up may cause loss of control.

Observe and follow correct direction of feed and do not feed the material too quickly. Hold the work firmly against the table. Feed work into a blade against the teeth of the blade. Feeding material too forcefully may cause blade to break.

Use caution when cutting materials with an irregular cross-section or rounds like dowel rods. If possible lay the material on its "flat" side when cutting. For round stock use a "Vee" block to support the material. Wavy material like molding will tend to rock and may bind while cutting. Rounds will tend to roll while being cut and the blade may "bite" and grab it from your control.

Do not remove jammed cutoff pieces until blade has stopped. Never touch blade or other moving parts during use. Contacting the blade or other moving mechanism may cause injury.

Use base only with the Dremel Moto-Saw. Other tools may not fit and cause a hazardous condition.

Position vacuum hoses such that you do not block the power switch. You must maintain clear access to the ON/OFF switch for full control.

When connecting tool to dust collection and extraction systems, be sure these are connected and used according to tool and vacuum instructions. Proper use of dust collection systems maximizes effectiveness.

When using tool with dust collection and extraction systems, empty the dust container before beginning work, frequently during work, after completion of work, and before storing the tool. Use care when disposing dust, materials in fine particle form may be explosive.

Do not throw dust on an open fire. Fine dust particles may burn explosively.

Do not use dust extraction for operations that include burning, smoking or smoldering items like hot ashes or sparks. Fire inside the vacuum bag/tank may occur. Dust may smolder and set vacuum on fire long after work is completed.

Do not use dust extraction with explosive dusts, varnish, polyurethane coatings, cleaners, or oil-based paints. The electrical vacuum and tool components may create sparks which may ignite dust or fumes.

Do not use dust extraction when working on metal. Particles from sanding, grinding or cutting metal may be hot and may spark which may melt plastic adaptors, vacuum hoses, and may cause a fire inside the vacuum bag/tank.

Additional Safety Warnings

Keep handles dry, clean and free from oil and grease. Slippery hands cannot safely control the power tool.

Develop a periodic maintenance schedule for your tool. When cleaning a tool be careful not to disassemble any portion of the tool since internal wires may be misplaced or pinched or safety guard return springs may be improperly mounted. Certain cleaning agents such as gasoline, carbon tetrachloride, ammonia, etc. may damage plastic parts.

The product must only be serviced by a Bosch Factory Service Center or Authorized Bosch Service Station. This product does not contain user serviceable parts other than those addressed in this manual.






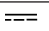
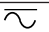







WARNING Some dust created by power sanding, sawing, grinding, drilling, and other construction activities contains chemicals known to cause cancer, birth defects or other reproductive harm. Some examples of these chemicals are:

- Lead from lead-based paints,
- Crystalline silica from bricks and cement and other masonry products, and
- Arsenic and chromium from chemically-treated lumber.

Your risk from these exposures varies, depending on how often you do this type of work. To reduce your exposure to these chemicals: work in a well ventilated area, and work with approved safety equipment, such as those dust masks that are specially designed to filter out microscopic particles.

Symbols

IMPORTANT: Some of the following symbols may be used on your tool. Please study them and learn their meaning. Proper interpretation of these symbols will allow you to operate the tool better and safer.

Symbol	Name	Designation/Explanation
V	Volts	Voltage (potential)
A	Amperes	Current
Hz	Hertz	Frequency (cycles per second)
W	Watt	Power
kg	Kilograms	Weight
min	Minutes	Time
s	Seconds	Time
∅	Diameter	Size of drill bits, grinding wheels, etc.
n_0	No load speed	Rotational speed, at no load
n	Rated speed	Maximum attainable speed
.../min	Revolutions or reciprocation per minute	Revolutions, strokes, surface speed, orbits etc. per minute
0	Off position	Zero speed, zero torque...
1, 2, 3, ... I, II, III,	Selector settings	Speed, torque or position settings. Higher number means greater speed
	Infinitely variable selector with off	Speed is increasing from 0 setting
	Arrow	Action in the direction of arrow
	Alternating current	Type or a characteristic of current
	Direct current	Type or a characteristic of current
	Alternating or direct current	Type or a characteristic of current
	Class II construction	Designates Double Insulated Construction tools.
	Earthing terminal	Grounding terminal
	Warning symbol	Alerts user to warning messages
	Li-ion RBRC seal	Designates Li-ion battery recycling program
	Ni-Cad RBRC seal	Designates Ni-Cad battery recycling program
	Read manual symbol	Alerts user to read manual
	Wear eye protection symbol	Alerts user to wear eye protection

Symbols (continued)

IMPORTANT: Some of the following symbols may be used on your tool. Please study them and learn their meaning. Proper interpretation of these symbols will allow you to operate the tool better and safer.



This symbol designates that this tool is listed by Underwriters Laboratories.



This symbol designates that this component is recognized by Underwriters Laboratories.



This symbol designates that this tool is listed by Underwriters Laboratories, to United States and Canadian Standards.



This symbol designates that this tool is listed by the Canadian Standards Association.



This symbol designates that this tool is listed by the Canadian Standards Association, to United States and Canadian Standards.



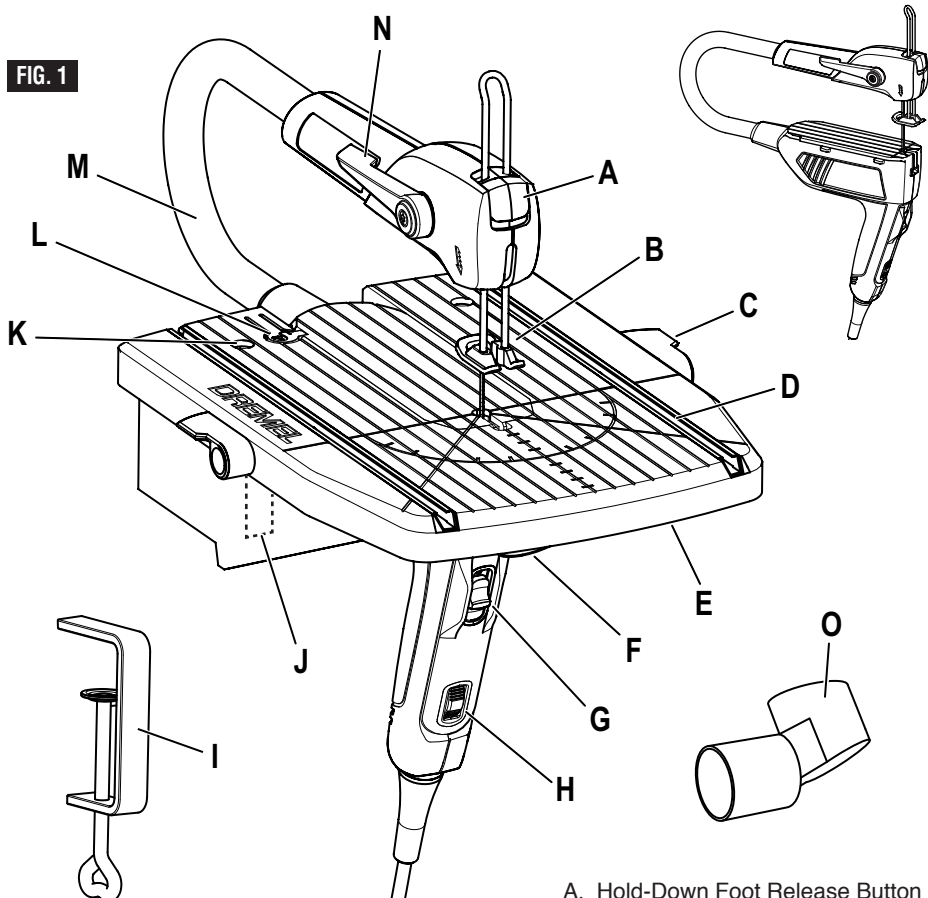
This symbol designates that this tool is listed by the Intertek Testing Services, to United States and Canadian Standards.



This symbol designates that this tool complies to NOM Mexican Standards.

Functional Description and Specifications

⚠ WARNING Disconnect the plug from the power source before making any assembly, adjustments or changing accessories. Such preventive safety measures reduce the risk of starting the tool accidentally.



- A. Hold-Down Foot Release Button
- B. Hold-Down Foot
- C. Fence Lock Lever
- D. Guide Rail
- E. Base
- F. Vacuum-Cleaner Connection
- G. On/Off Switch
- H. Speed Dial Switch
- I. Securing Clamps
- J. Clamp Slot
- K. Permanent Fixing Hole
- L. Quick Release Button
- M. Moto-Saw
- N. Accessory Quick Change Lever
- O. Vacuum Dust Adapter

Dremel Moto-Saw 2-in-1 Compact Scroll Saw MS20	
Voltage Rating	120V ~ 60Hz
Amps	0.6A
No load speed	1500 - 2250
Throat Depth	9.84 inches
Stroke Length	.31 inches
Weight	2.4 pounds
Blade Length	3.8 inches

Assembly

⚠ WARNING Disconnect the plug from the power source before making any assembly, adjustments or changing accessories. Such preventive safety measures reduce the risk of starting the tool accidentally.

Attaching Blade onto Moto-Saw

1. When facing front of tool, pull quick change lever towards yourself to the loosened position, Fig. 2.
2. Place bottom pin end of saw blade into bottom corner of lower accessory holding area. The blade teeth must be pointing down, Fig. 3.
3. Place top pin end of saw blade into top accessory holding area of tool by pivoting it forward into top holding area of tool, Fig. 4.
4. Push quick change lever away from you to tightened position to secure blade, Fig. 5.

To remove the accessory, reverse the above steps.

FIG. 2

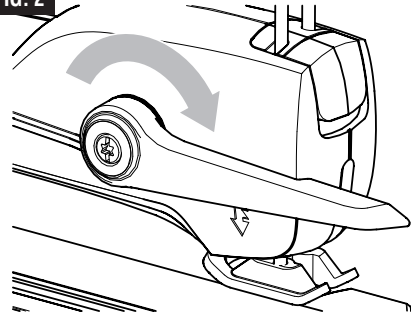


FIG. 3

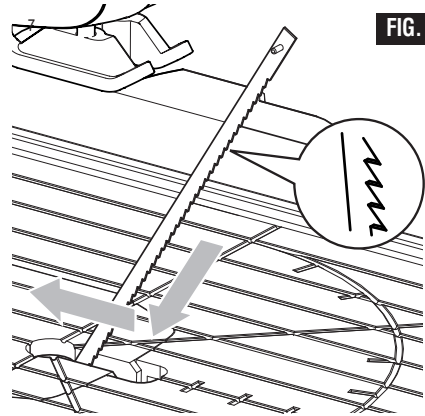


FIG. 4

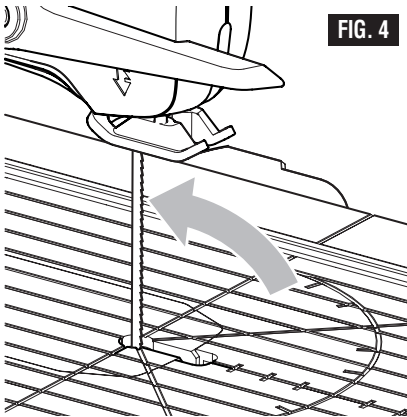
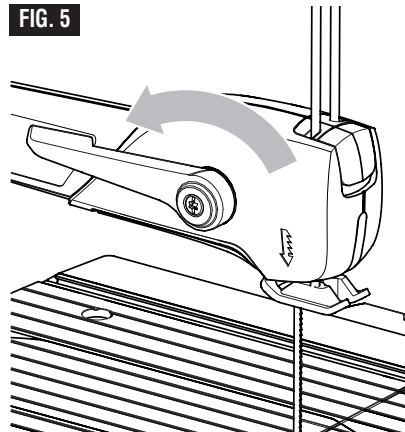


FIG. 5



Assembling Base Station for Stationary Use

⚠ WARNING Disconnect the plug from the power source before making any assembly, adjustments or changing accessories. Such preventive safety measures reduce the risk of starting the tool accidentally.

Mount the Base Station to a flat working surface of a comfortable height. Insure that the working surface is of a thickness that can accept the clamps and/or mounting screws. Mounting the Base Station to an unstable surface can invite an accident.

1. Position the saw station at the front edge of the flat work surface the saw station will be clamped to.
2. Unthread the provided clamps to ensure they will be able to clamp to the work surface. Slide the flat edge of the clamp into the slot in the bottom of the saw station and tighten the clamp to prevent the saw station from shifting during use, Fig. 6.

The base can be permanently secured to a work bench with regular screws through the two holes located on the top of the base, Fig. 7.

3. Feed the Moto-Saw cord through the hole in the center of the base, Fig. 8.
4. Lower the Moto-Saw to the saw station surface then push forward until it clicks into the locked position, Fig. 9.

FIG. 6

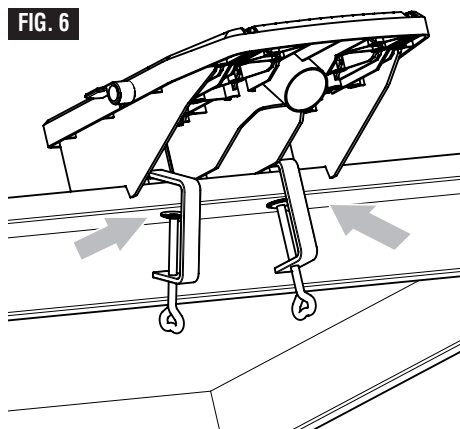


FIG. 7

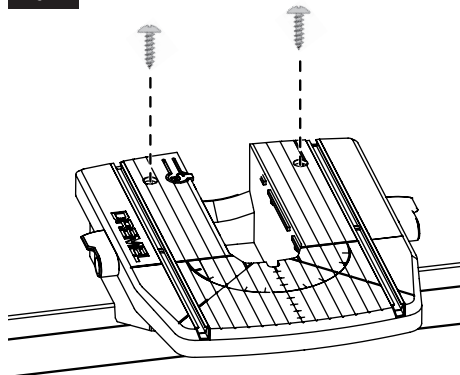


FIG. 8

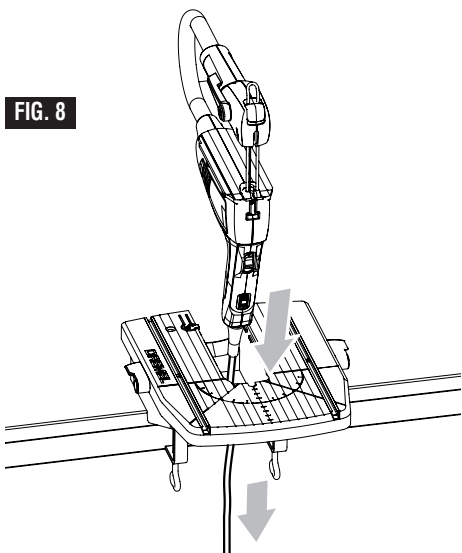
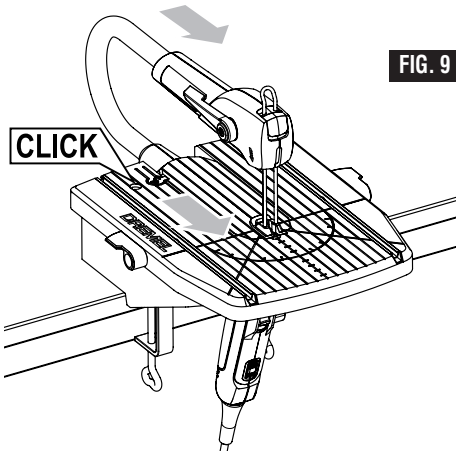


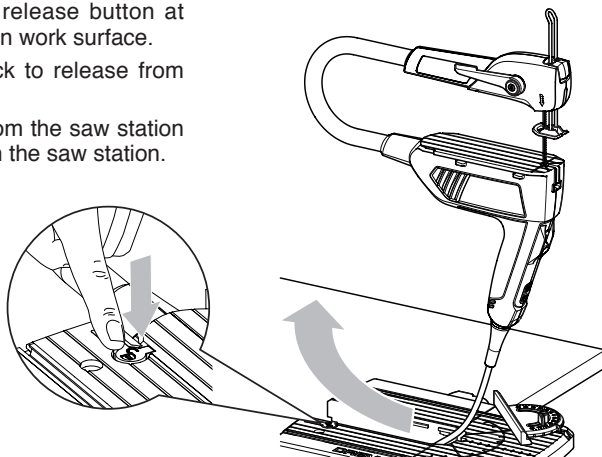
FIG. 9



To remove the Moto-Saw for hand held use

1. Unplug the Moto-Saw.
2. Press the release lock release button at the rear of the saw station work surface.
3. Slide the Moto-Saw back to release from the lock mechanism.
4. Pull the Moto-Saw up from the saw station and pull the cord through the saw station.

FIG. 10



Installing Dust Extraction

When connecting tool to dust collection and extraction systems, be sure these are connected and used according to tool and vacuum instructions. Proper use of dust collection systems maximizes effectiveness.

Do not use dust extraction when working on metal. Particles from sanding, grinding or cutting metal may be hot and may spark which may melt plastic adaptors, vacuum hoses, and may cause a fire inside the vacuum bag/tank.

Position vacuum hoses such that you do not block the power switch. You must maintain clear access to the ON/OFF switch for full control.

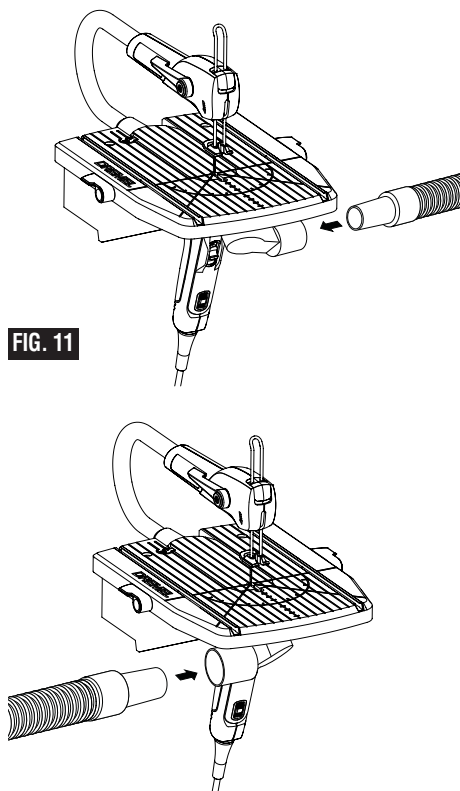
Your Moto-Saw includes a vacuum dust adaptor. The adaptor can be used to connect the vacuum hose to either the left or the right side of the tool, Fig. 11.

The outside of the adaptor can be used to connect 1 5/8 in. and the inside of the adaptor can be used to connect 1 3/8 in.

1. Attach dust extraction adaptor onto saw station.
2. Attach vacuum hose to vacuum adaptor.

To remove, reverse instructions.

FIG. 11



Installing Fence / Miter Gauge (Optional Accessory)

Your Moto-Saw can use a combination fence and miter gauge.

For use as a miter gauge:

1. To use the miter gauge slide the metal T section into the track in the surface of the saw station, Fig. 12.
2. Twist the knob on the miter gauge to adjust the angle of the miter gauge and tighten at the desired angle, Fig. 13.

For use as a fence:

1. Install the miter gauge as described above.
2. Adjust the miter angle to 90° then slide the miter gauge to the desired fence position, Fig. 14.
3. Rotate the blue lever on the side of the saw station forward to lock.

To remove, reverse procedure.

FIG. 12

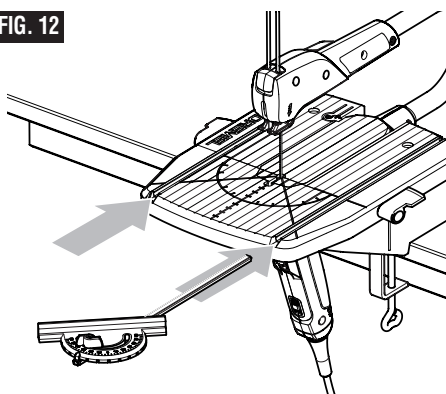


FIG. 13

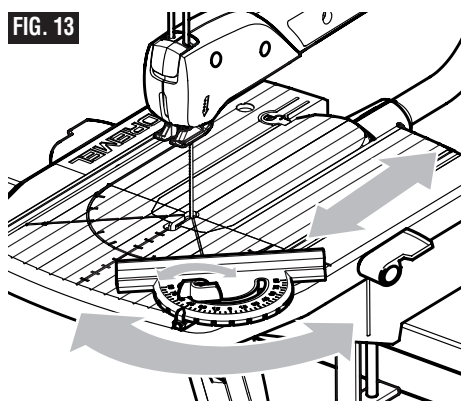
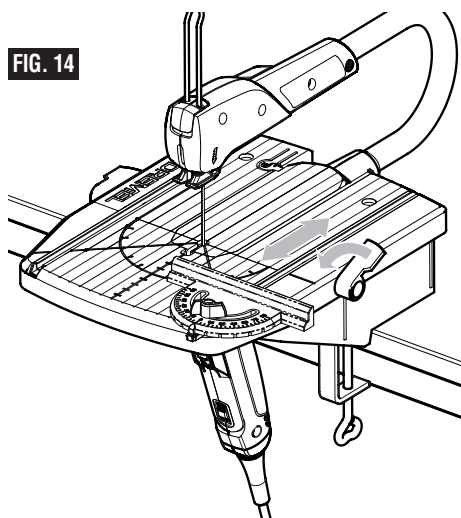


FIG. 14



Operating Instructions

The Moto-Saw is a compact and very easy to use 2-in-1 scroll saw. It can be used either in stationary mode, when the tool is docked in its base or in hand-held mode. This tool is intended to perform precise straight and curved cuts in different materials including soft wood, hard wood, composite boards, laminate, PVC or soft sheet metal using the applicable accessories recommended by Dremel.

The teeth of this tool only cut on the down stroke. The work must be fed into the saw blade very slowly because the teeth are small and can remove only small amounts of material on each stroke. Trying to cut too fast will bend or break the blade.

To get most accurate cuts, compensate for the blades tendency to follow the wood grain as you are cutting.

Operation - Hand-Held Mode

Using the Moto-Saw in hand-held mode is advised when the work piece is too big or fixed and therefore cannot be put onto and maneuvered about the base. Typical hand-held operation includes coping or shaping large wood workpieces. Do not cut materials other than wood in hand held mode.

⚠ WARNING Never leave the switch in "ON" position. Before plugging the tool in, check that the switches are "OFF". Accidental start-ups may cause injury.

1. Grasp the Moto-Saw as shown in Fig. 15.
2. Adjust the variable speed dial based on the blade and material you are going to cut. You can refer to the chart on page 18 to determine the proper speed. This chart enable you to select both the correct accessory and the optimum speed at a glance.
3. With the work securely clamped take the tool the work and adjust the hold down foot so that it rests on the workpiece, Fig. 16.

⚠ WARNING Never start the tool when the blade is in contact with the workpiece. Allow the motor to come up to full speed before starting a cut. Having the blade in contact with the workpiece on start up may cause loss of control.

4. Turn the tool ON and let the tool come up to speed before contacting the work piece. The tool is switched "ON" by the slide switch located on the front of primary handle.

TO TURN THE TOOL "ON", slide the switch button up.

FIG. 15

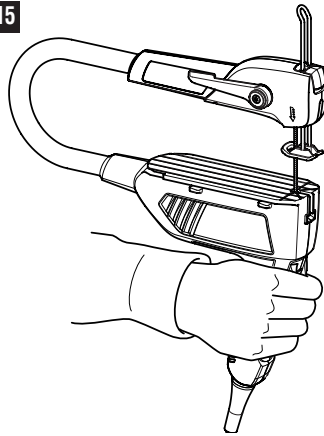
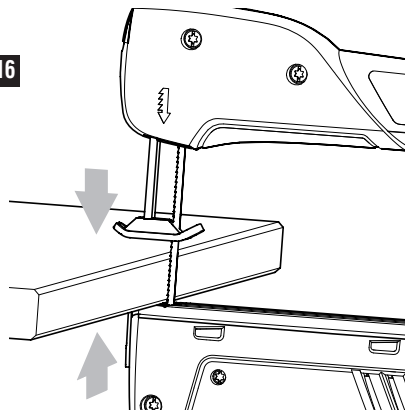


FIG. 16



5. Slowly feed the workpiece into the blade while guiding the cut.

⚠ WARNING Do not force the saw into and through the workpiece. Cut accuracy may be compromised and the blade may break from excessive force.

6. When the cut is complete, move the tool and blade clear of the workpiece and turn the switch to OFF.

TO TURN THE TOOL "OFF", slide the switch button down.

Stationary Mode

Using the Moto-Saw in stationary mode gives you the freedom to cut with both hands holding your work piece. In this mode you can complete different hobby or wood working projects by precisely cutting wood, plastic and thin metal workpieces easily when using the correct blade.

⚠ WARNING Never leave the switch in "ON" position. Before plugging the tool in, check that the switches are "OFF". Accidental start-ups could cause injury.

1. Make sure the base is securely attached to a flat work surface with the help of the clamps provided or secured with screws.
2. Adjust the variable speed dial based on the blade and material you are going to cut. You can refer to the chart on page 18 to determine the proper speed. This chart enable you to select both the correct accessory and the optimum speed at a glance. In order to reduce vibrations when cutting plastics and sheet metal, place your workpiece on top of a piece of cardboard as a dampener. Cut through both materials for a cleaner, more accurate cut.
3. Take the work piece to the tool.

⚠ WARNING Keep hands away from cutting area. Do not hand-hold pieces so small that your fingers go under the drop foot. Do not reach

underneath work or in blade cutting path with your hands and fingers for any reason. Close hand proximity to the blade may result in blade contact and injury.

4. Press down the hold down foot onto your work piece to prevent it from bouncing.

⚠ WARNING Never start the tool when the blade is in contact with the workpiece. Allow the motor to come up to full speed before starting a cut. Having the blade in contact with the workpiece on start up may cause loss of control.

5. Turn the tool ON and let the tool come up to speed before contacting the work piece. The tool is switched "ON" by the slide switch located on the front of primary handle.

TO TURN THE TOOL "ON", slide the switch button up.

⚠ WARNING Do not force the saw into and through the workpiece. Cut accuracy may be compromised and the blade may break from excessive force.

6. When the cut is complete, move the trailing edge of the workpiece beyond the hold down foot and turn the switch to OFF.

TO TURN THE TOOL "OFF", slide the switch button down.

Interior Cutting – Hand-Held Mode

1. Lay-out the design of the workpiece. Drill a $\frac{1}{4}$ " hole into the workpiece.
2. Remove the blade from the saw. Refer to the section "Attaching Blade onto Moto-Saw."
3. Refer to the section "Attaching Blade onto Moto-Saw" and reinstall the blade through the hole in the workpiece.
4. Follow steps three through five in "Operation – Hand-Held Mode."
5. When cutting is complete, refer to the section "Attaching Blade onto Moto-Saw" to remove the saw blade to free the workpiece.

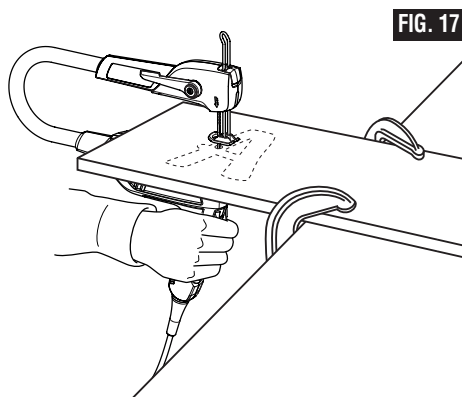


FIG. 17

Interior Cutting – Stationary Mode

1. Lay-out the design of the workpiece. Drill a $\frac{1}{4}$ " hole into the workpiece.
2. Remove the blade from the saw. Refer to the section "Attaching Blade onto Moto-Saw."
3. Place the workpiece on the saw table with the hole in the workpiece over the access hole in the table.
4. Refer to the section "Attaching Blade onto Moto-Saw" and reinstall the blade through the hole in the workpiece.
5. Follow the steps in "Operation – Stationary Mode."
6. When cutting is complete, refer to the section "Attaching Blade onto Moto-Saw" to remove the saw blade to free the workpiece.

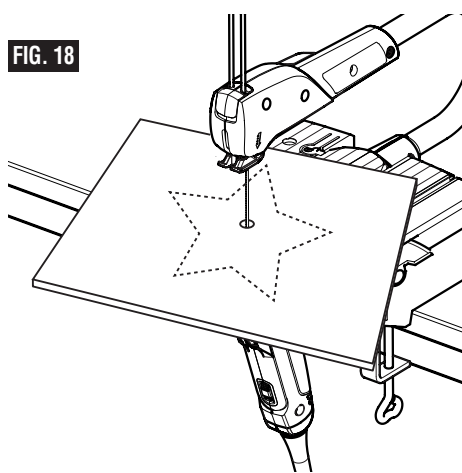


FIG. 18

Side Cutting

Using the Moto-Saw with a side cutting blade allows you to make cuts from left to right or right to left across the tool. In this configuration you have the ability to work with longer pieces of wood and plastic materials that may be too large for cutting in a front-to-back direction as material will not strike the back of the tool. Do not side cut metal.

1. Refer to the section "Attaching Blade onto Moto-Saw" and install the MS50 side cutting blade to the Moto-Saw.
2. Follow the steps in "Operation – Hand Held Mode" for side cutting wood or "Operation – Stationary Mode" for side cutting wood and plastic.

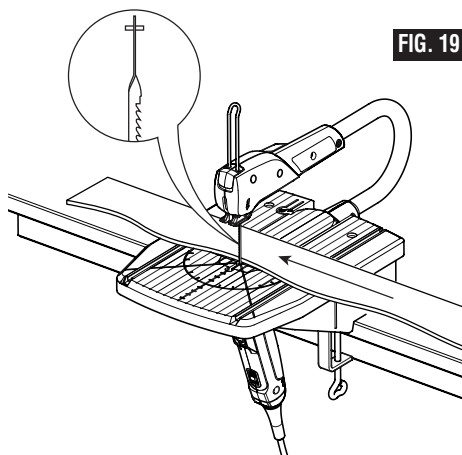


FIG. 19

Maintenance Information

Service

⚠ WARNING Disconnect the plug from the power source and/or the battery pack from the power tool before making any adjustments, changing accessories, or storing power tools. Such preventive safety measures reduce the risk of starting the power tool accidentally.

The product must only be serviced by a **Bosch Factory Service Center or Authorized Bosch Service Station**. This product does not contain user serviceable parts other than those addressed in this manual.

Cleaning

⚠ WARNING Disconnect the plug from the power source and/or the battery pack from the power tool before making any adjustments, changing accessories, or storing power tools. Such preventive safety measures reduce the risk of starting the power tool accidentally.

The tool may be cleaned most effectively with compressed dry air. **Always wear safety goggles when cleaning tools with compressed air.** Ventilation openings and switch levers must be kept clean and free of foreign matter. Do not attempt to clean by inserting pointed objects through openings.

⚠ CAUTION Certain cleaning agents and solvents damage plastic parts. Some of these are: gasoline, carbon tetrachloride, chlorinated cleaning solvents, ammonia and household detergents that contain ammonia.

Extension Cords

⚠ WARNING If an extension cord is necessary, a cord with adequate size conductors that is capable of carrying the current necessary for your tool must be used. This will prevent excessive voltage drop, loss of power or overheating. Grounded tools must use 3-wire extension cords that have 3-prong plugs and receptacles.

NOTE: The smaller the gauge number, the heavier the cord.

RECOMMENDED SIZES OF EXTENSION CORDS 120 VOLT ALTERNATING CURRENT TOOLS

Tool's Ampere Rating	Cord Size in A.W.G.				Wire Sizes in mm ²			
	Cord Length in Feet				Cord Length in Meters			
	25	50	100	150	15	30	60	120
2-6	18	16	16	14	0.75	0.75	1.5	2.5
6-8	18	16	14	12	0.75	1.0	2.5	4.0
8-10	18	16	14	12	0.75	1.0	2.5	4.0
10-12	16	16	14	12	1.0	2.5	4.0	—
12-16	14	12	—	—	—	—	—	—

Moto-Saw Accessories

⚠ WARNING Use only Dremel Moto-Saw blades. Use the right blade size, style and cutting speed for the material and the type of cut. Using the proper blade minimizes the risk of breakage.

Teeth on Moto-Saw blades wear out and must be replaced frequently for best cutting results.

Moto-Saw blades are intended to stay sharp for ½ hour to 2 hours of cutting.

Blade life depends on the material being cut, thickness, blade type and the user.

Users can shorten the life of the blade by pushing too hard when cutting.

Moto-Saw Blades

MS51 General Wood & Plastic Blade

Intended for making straight and larger diameter curved cuts in materials such as soft wood, laminate and plastics.

MS52 Fine Wood Cutting Blade

Intended for making straight and smaller diameter intricate curved cuts in materials such as soft wood, laminate and plastics.

MS53 Metal Cutting Blade

Intended for making straight and curved cuts in soft sheet metal.

MS50 Side Cutting Blade

Intended for making long straight and curved cuts in larger pieces of soft wood and plastic materials.

Speed Settings

Material		Tool Speed	Recommended Thickness	MS51 Wood & Plastic Blade	MS52 Fine Wood Blade	MS53 Metal Blade	MS50 Side Cutting Blade
Wood	Plywood	6	.75"	x	x		x
	Pine	6	.75"	x	x		x
	Poplar	6	.75"	x	x		x
	Balsa	6	1.75"	x	x		x
	Laminate Flooring	6	.5"	x	x		x
Metal	HVAC	6	20-ga.			x	
	TIN	6	20-ga.			x	
	AL sheet	6	20-ga.			x	
	Gal. Sheet Metal	6	20-ga.			x	
Plastic	Plexiglass	4	.2"	x	x		x
	PVC Pipe	4	.75"	x	x		x

Scroll Saw/Moto-Saw Tips

- Three things will have great effect on the cut when using a scroll type saw:
 1. The material being cut.
 2. Blade speed (strokes per minute blade).
 3. Cutting speed (how fast material is pushed into blade).
- There is not ONE blade that is the best for every given job.
- A coarse blade should be used for thicker material and a finer blade for thinner material. The thinner the blade, the sharper the turn it can execute.
- There should always be 3 to 4 teeth in contact with the work at all times.
- Cutting hard material like metal and material that can melt, like acrylic, will generally require slower speed on the tool and a lower feed rate.
- The best starting point on any cut is at a point or corner because you can control the intersection of the cut and make it as smooth as it needs to be.
- Certain actions will require practice – like cutting a corner or a 180° turn.
- Saws that scroll can present a challenge when attempting a straight cut. With some practice, it's easy to do. Practice compensating for the grain by turning the material slightly to stay on a straight line. Once the degree of compensation is determined for any material, being able to then cut a straight line will only be a matter of blade selection, speed, and feed rate.
- If a blade seems to be cutting slowly or seems to wander with little means of control, chances are the blade is becoming dull. There's no substitute for a sharp blade. Wood and metal will both dull a blade quickly. If a lot of cutting is being completed, change your blade as often as necessary.

Dremel® Limited Warranty

Your Dremel product is warranted against defective material or workmanship for a period of two years from date of purchase. In the event of a failure of a product to conform to this written warranty, please take the following action:

1. DO NOT return your product to the place of purchase.
2. Carefully package the product by itself, with no other items, and return it, freight prepaid, along with:
 - A. A copy of your dated proof of purchase (please keep a copy for yourself).
 - B. A written statement about the nature of the problem.
 - C. Your name, address and phone number to:

UNITED STATES
Dremel Service Center
4915 21st Street
Racine, WI 53406

OR

CANADA
 Giles Tool Agency
 47 Granger Av.
 Canada M1K 3K9 1-416-287-3000

OUTSIDE CONTINENTAL UNITED STATES CONTINENTAL UNITED STATES
 See your local distributor or write to Dremel, 4915 21st Street Racine, WI 53406

We recommend that the package be insured against loss or in transit damage for which we cannot be responsible.

This warranty applies only to the original registered purchaser. DAMAGE TO THE PRODUCT RESULTING FROM TAMPERING, ACCIDENT, ABUSE, NEGLIGENCE, UNAUTHORIZED REPAIRS OR ALTERATIONS, UNAPPROVED ATTACHMENTS OR OTHER CAUSES UNRELATED TO PROBLEMS WITH MATERIAL OR WORKMANSHIP ARE NOT COVERED BY THIS WARRANTY.

No employee, agent, dealer or other person is authorized to give any warranties on behalf of Dremel. If Dremel inspection shows that the problem was caused by problems with material or workmanship within the limitations of the warranty, Dremel will repair or replace the product free of charge and return product prepaid. Repairs made necessary by normal wear or abuse, or repair for product outside the warranty period, if they can be made, will be charged at regular factory prices.

DREMEL MAKES NO OTHER WARRANTY OF ANY KIND WHATEVER, EXPRESSED OR IMPLIED, AND ALL IMPLIED WARRANTIES OF MERCHANTABILITY AND FITNESS FOR A PARTICULAR PURPOSE WHICH EXCEED THE ABOVE MENTIONED OBLIGATION ARE HEREBY DISCLAIMED BY DREMEL AND EXCLUDED FROM THIS LIMITED WARRANTY.

This warranty gives you specific legal rights and you may also have other rights which vary from state to state. The obligation of the warrantor is solely to repair or replace the product. The warrantor is not liable for any incidental or consequential damages due to any such alleged defect. Some states do not allow the exclusion or limitation of incidental or consequential damages, so the above limitations or exclusion may not apply to you.

For prices and warranty fulfillment in the continental United States, contact your local Dremel distributor.

Exportado por: © Robert Bosch Tool Corporation Mt. Prospect, IL 60056 -2230, E.U.A.

Importado a México por: Robert Bosch, S. de R.L. de C.V.
 Calle Robert Bosch No. 405 - 50071 Toluca, Edo. de Méx. - México
 Tel. 052 (722) 279 2300 ext 1160 / Fax. 052 (722) 216-6656

Avertissements généraux concernant la sécurité des outils électroportatifs

AVERTISSEMENT

Veuillez lire tous les avertissements et toutes les consignes de sécurité. Si l'on n'observe pas ces avertissements et ces consignes de sécurité, il existe un risque de choc électrique, d'incendie et/ou de blessures corporelles graves.

CONSERVEZ TOUS LES AVERTISSEMENTS ET TOUTES LES CONSIGNES DE SÉCURITÉ POUR RÉFÉRENCE FUTURE.

Dans les avertissements, le terme « outil électroportatif » se rapporte à votre outil branché sur le secteur (avec fil) ou à votre outil alimenté par piles (sans fil).

Sécurité du lieu de travail

Maintenez le lieu de travail propre et bien éclairé. Les risques d'accident sont plus élevés quand on travaille dans un endroit encombré ou sombre.

N'utilisez pas d'outils électroportatifs dans des atmosphères explosives, comme par exemple en présence de gaz, de poussières ou de liquides inflammables. Les outils électroportatifs produisent des étincelles qui risquent d'enflammer les poussières ou les vapeurs.

Éloignez les enfants et les visiteurs quand vous vous servez d'un outil électroportatif. Vous risquez une perte de contrôle si on vous distrait.

Sécurité électrique

Les fiches des outils électroportatifs doivent correspondre à la prise. Il ne faut absolument jamais modifier la fiche. N'utilisez pas d'adaptateur de prise avec des outils électroportatifs munis d'une fiche de terre. Le risque de choc électrique est moindre si on utilise une fiche non modifiée sur une prise qui lui correspond.

Évitez tout contact du corps avec des surfaces reliées à la terre tels que tuyaux, radiateurs, gazinières ou réfrigérateurs. Le risque de choc électrique augmente si votre corps est relié à la terre.

N'exposez pas les outils électroportatifs à la pluie ou à l'humidité. Si de l'eau pénètre dans un outil électroportatif, le risque de choc électrique augmente.

Ne maltraitez pas le cordon. Ne vous en servez jamais pour transporter l'outil électroportatif, pour le tirer ou pour le débrancher. Éloignez le cordon de la chaleur, des huiles, des arêtes coupantes ou des pièces mobiles. Les cordons abîmés ou emmêlés augmentent les risques de choc électrique.

Si vous utilisez un outil électroportatif à l'extérieur, employez une rallonge conçue pour l'extérieur. Ces rallonges sont faites pour l'extérieur et réduisent le risque de choc électrique.

S'il est absolument nécessaire d'utiliser l'outil électroportatif dans un endroit humide, utilisez une alimentation protégée par un disjoncteur de fuite de terre (GFCI). L'utilisation d'un disjoncteur GFCI réduit les risques de choc électrique.

Sécurité personnelle

Restez concentré, faites attention à ce que vous faites, et servez-vous de votre bon sens lorsque vous utilisez un outil électroportatif. N'employez pas d'outils électroportatifs quand vous êtes fatigué ou sous l'emprise de drogues, d'alcool ou de médicaments. Quand on utilise des outils électroportatifs, il suffit d'un moment d'inattention pour causer des blessures corporelles graves.

Utilisez des équipements de sécurité personnelle. Portez toujours une protection oculaire. Le port d'équipements de sécurité tels que des masques antipoussières, des chaussures de sécurité antidérapantes, des casques de chantier et des protecteurs d'oreilles dans des conditions appropriées réduira le risque de blessure corporelle.

Évitez les démarrages intempestifs. Assurez-vous que l'interrupteur est dans la position arrêt (Off) avant de brancher l'outil dans une prise de courant et/ou un bloc-piles, de le ramasser ou de le transporter. Le transport d'un outil électroportatif avec le doigt sur la gâchette ou le branchement de cet outil quand l'interrupteur est en position de marche (ON) est une invite aux accidents.

Enlevez toutes les clés de réglage avant de mettre l'outil électroportatif en marche. Si on laisse une clé sur une pièce tournante de l'outil électroportatif, il y a risque de blessure corporelle.

Ne vous penchez pas. Conservez toujours une bonne assise et un bon équilibre. Ceci vous permettra de mieux maîtriser l'outil électroportatif dans des situations inattendues.

Habillez-vous de manière appropriée. Ne portez pas de vêtements amples ou de bijoux. Attachez les cheveux longs. N'approchez pas les cheveux, les vêtements ou les gants des pièces en mouvement. Les vêtements amples, les bijoux ou les cheveux longs risquent d'être happés par les pièces en mouvement.

Si l'outil est muni de dispositifs permettant le raccordement d'un système d'aspiration et de collecte des poussières, assurez-vous que ces dispositifs sont raccordés et utilisés correctement. L'utilisation d'un dépoussiéreur peut réduire les dangers associés à l'accumulation de poussière.

Utilisation et entretien des outils électroportatifs

Ne forcez pas sur l'outil électroportatif. Utilisez l'outil électroportatif qui convient à la tâche à effectuer. L'outil qui convient à la tâche fait un meilleur travail et est plus sûr à la vitesse pour lequel il a été conçu.

Ne vous servez pas de l'outil électroportatif si son interrupteur ne parvient pas à le mettre en marche ou à l'arrêter. Tout outil électroportatif qui ne peut pas être commandé par son interrupteur est dangereux et doit être réparé.

Débranchez la fiche de la prise ou enlevez le bloc-pile de l'outil électroportatif avant tout réglage, changement d'accessoires ou avant de ranger l'outil électroportatif. De telles mesures de sécurité préventive réduisent le risque de démarrage intempestif de l'outil électroportatif.

Rangez les outils électroportatifs dont vous ne vous servez pas hors de portée des enfants et ne permettez pas à des personnes qui ne connaissent pas l'outil électroportatif ou qui ignorent ces consignes de s'en servir. Les outils électroportatifs sont dangereux dans les mains d'utilisateurs inexpérimentés.

Entretenez les outils électroportatifs. Vérifiez que les pièces mobiles sont alignées correctement et ne coincent pas. Vérifiez qu'il n'y a pas de pièces cassées ou d'autre circonstance qui risquent d'affecter le fonctionnement de l'outil électroportatif. Si l'outil est abîmé, faites-le réparer avant de l'utiliser. De nombreux accidents sont causés par des outils électroportatifs mal entretenus.

Maintenez les outils coupants affûtés et propres. Les outils coupants entretenus correctement et dotés de bords tranchants affûtés sont moins susceptibles de coincer et sont plus faciles à maîtriser.

Utilisez l'outil électroportatif, les accessoires et les embouts d'outil, etc. conformément à ces instructions, en tenant compte des conditions de travail et des travaux à réaliser. L'emploi d'outils électroportatifs pour des tâches différentes de celles pour lesquelles ils ont été prévus peut résulter en une situation dangereuse.

Entretien

Faites réparer votre outil électroportatif par un agent de service qualifié n'utilisant que des pièces de rechange identiques. Ceci assure que la sécurité de l'outil électroportatif est préservée.

Consignes de sécurité pour l'utilisation des scies à chantourner

Tenez l'outil électrique par ses zones de préhension isolées lorsque vous effectuez une opération lors de laquelle l'accessoire de coupe peut entrer en contact avec un fil électrique caché ou avec son propre cordon d'alimentation. Le contact entre un accessoire de coupe et un fil électrique sous tension peut provoquer un transfert du courant vers les parties en métal exposées de l'outil électrique et causer un choc électrique pour l'opérateur.

Utilisez des brides de fixation ou un autre moyen pratique de sécuriser et de supporter l'ouvrage sur une plate-forme stable. Si vous tenez l'ouvrage à la main ou contre vos corps, il sera instable et pourrait par conséquent causer une perte de contrôle.

Ne laissez jamais l'interrupteur dans la position de marche (ON). Assurez-vous que les interrupteurs sont dans la position d'arrêt (OFF). Une mise en marche accidentelle pourrait causer des blessures.

Gardez les mains à bonne distance de la zone de coupe. Ne tentez PAS de mettre la main sous le matériau qui est en train d'être coupé. Vous risqueriez de ne pas voir la proximité de la lame par rapport à votre main

Gardez les mains à bonne distance de l'espace compris entre le boîtier des engrenages et le porte-scie à chantourner. Le porte-lame à va et vient risquerait de vous pincer les doigts.

Utilisez seulement des lames Dremel Moto-Saw. Utilisez une lame de la taille, du style et de la vitesse de coupe appropriés pour le matériau et le type de coupe. L'emploi d'une lame de taille appropriée réduit le risque de cassure.

N'utilisez pas de lames émoussées ou endommagées. Les lames émoussées risquent de se courber et de se casser, et elles pourraient ainsi frapper l'opérateur.

Avant de commencer à couper, mettez l'outil en marche (ON) et laissez la lame tourner à sa vitesse de croisière. L'outil risquerait de trembler ou de vibrer si la vitesse de la lame était trop lente au début de l'opération de coupe, et ceci risquerait de causer une perte de contrôle.

Assurez-vous que toutes les vis de réglage et le porte-lame sont bien serrés avant de réaliser une coupe. Des vis de réglage et un porte-lame desserrés pourraient causer un glissement de l'outil ou de la lame, et ceci risquerait de causer une perte de contrôle.

Lorsque vous retirez la lame de l'outil, évitez tout contact avec la peau et utilisez des gants de protection appropriés quand vous saisissez la lame ou l'accessoire. Les accessoires peuvent être très chauds après un emploi prolongé, et vous risqueriez de vous brûler.

Consignes de sécurité pour l'utilisation du poste de sciage

Ne laissez jamais un outil fonctionner sans surveillance. Mettez hors tension. Ne laissez pas l'outil sans surveillance avant qu'il ne se soit complètement arrêté de tourner.

Ne laissez jamais l'interrupteur dans la position de marche (ON). Avant de brancher l'outil, assurez-vous que les interrupteurs sont en position d'arrêt (OFF). Une mise en marche accidentelle risquerait de causer des blessures.

Évitez les opérations mettant vos mains et votre corps dans des positions maladroites, et assurez-vous toujours que vous êtes bien en équilibre. Un glissement soudain pourrait mettre votre main dans la trajectoire de la lame.

Fixez ou boulonnez fermement votre poste de sciage sur une table ou un établi stable et de niveau. La hauteur de table la plus confortable est à peu près la hauteur de la taille.

Ne montez jamais sur l'outil. Vous risqueriez de vous blesser si l'outil basculait ou si vous entriez accidentellement en contact avec la lame.

Avant de réaliser une coupe, assurez-vous que tous les réglages sont sécurisés. Si la table ou des dispositifs de protection ne sont pas bien assujettis, ils pourraient bouger pendant l'emploi et vous faire perdre le contrôle de l'ouvrage.

Ajustez toujours le pied articulé de façon à ce qu'il ne cause pas d'interférence avec l'ouvrage. Un ajustement correct du pied articulé stabilisera l'ouvrage, aidera à protéger vos doigts et réduira le risque de cassure de la lame.

Supportez toujours les ouvrages de grandes dimensions pendant les opérations de coupe afin de réduire le risque de pincement par la lame et de perte de contrôle pouvant en résulter. Un ouvrage lourd pourrait causer le glissement ou un autre mouvement de la table pendant la coupe.

Assurez-vous qu'il n'y a pas de clous sur la trajectoire de coupe. Inspectez la surface à couper et retirez les clous du bois ou de l'ouvrage le cas échéant avant de couper ou de poncer.

Gardez les mains à bonne distance de la zone de coupe. Ne tenez pas à la main des pièces tellement petites que vos doigts risqueraient d'aller en dessous du pied articulé. N'étendez pas votre bras en dessous de l'ouvrage et ne mettez pas vos doigts sur la trajectoire de coupe de la lame pour quelque raison que ce soit. Si votre main est positionnée très près de la lame, elle risquerait d'entrer en contact avec celle-ci et vous risqueriez alors de vous blesser.

Ne mettez jamais l'outil en marche lorsque la lame est en contact avec l'outil. Laissez le moteur atteindre sa vitesse de croisière avant de commencer une coupe. Si la lame est en contact avec l'ouvrage au moment du démarrage, vous risquez de perdre le contrôle de l'outil.

Observez et suivez le sens correct de l'alimentation, et ne faites pas avancer le matériau trop rapidement. Maintenez l'ouvrage fermement contre la table. Faites avancer l'ouvrage vers la lame contre les dents de la lame. Si vous faites avancer le matériau avec trop de force, vous risquez de causer la rupture de la lame.

Faites très attention lorsque vous coupez des matériaux ayant une section irrégulière ou des matériaux ronds tels que des pièces de bois rondes allongées. Si possible, posez le matériau sur son côté « plat » lorsque vous coupez. Pour les matériaux ronds, utilisez un bloc en forme de V pour supporter le matériau. Des matériaux ondulés, tels que des moulures, auront tendance à se balancer et risqueraient de se coincer dans la scie pendant les opérations de coupe. Les matériaux ronds ont tendance à rouler pendant les opérations de coupe, et la lame risquerait de les « mordre » et de vous faire perdre le contrôle.

Ne retirez jamais des pièces tronçonnées coincées avant que la lame ait cessé de tourner. Ne touchez jamais la lame ou d'autres pièces mobiles pendant l'emploi. Tout contact avec la lame ou un autre mécanisme mobile pourrait causer une blessure.

N'utilisez l'embase qu'avec l'outil Dremel Moto-Saw. D'autres outils risqueraient de ne pas bien tenir et de causer une situation dangereuse.

Positionnez les tuyaux flexibles d'inspiration de telle façon qu'ils ne bloquent pas l'interrupteur. Vous devez veiller à ce que l'accès à l'interrupteur marche/arrêt (ON/OFF) soit toujours bien dégagé afin d'assurer un contrôle adéquat.

Lorsque vous connectez l'outil à des systèmes de ramassage et d'extraction de la poussière, assurez-vous que ces derniers sont raccordés et utilisés conformément aux instructions de l'outil et du système d'aspiration. Une utilisation correcte des systèmes de dépoussiérage augmente la productivité du travail.

Lorsque vous utilisez un outil pourvu d'un système de ramassage ou d'extraction de la poussière, videz le réservoir à poussière avant de commencer le travail, fréquemment pendant le travail, après avoir fini le travail et avant de ranger l'outil. Faites très attention lorsque vous jetez la poussière accumulée, car des matériaux sous forme de particules fines pourraient être explosifs.

Ne jetez pas de poussière sur des flammes vives. Les particules de poussières fines risquent de brûler de façon explosive.

N'utilisez pas de système d'extraction de la poussière pour des opérations qui incluent des matériaux brûlants, fumants ou dans un état de combustion couvante, tels que des cendres chaudes ou des étincelles. Ceci risquerait de déclencher un incendie à l'intérieur du sac ou du réservoir de l'aspirateur. La poussière chaude peut continuer à se consumer lentement et mettre le feu à l'aspirateur longtemps après la fin de votre travail.

N'utilisez pas de système de dé poussiérage en présence de poussières explosives, de vernis, d'enduits en polyuréthane, de produits de nettoyage ou de peintures à l'huile. Les composants électriques de l'aspirateur et de l'outil risqueraient de produire des étincelles qui pourraient mettre le feu à des poussières ou fumées.

N'utilisez pas de système de dé poussiérage lorsque vous travaillez sur du métal. Des particules générées par des opérations de ponçage, rectification ou coupe de métal peuvent être très chaudes et produire des étincelles pouvant causer la fusion d'adaptateurs en plastique et de tuyaux d'aspiration flexibles, et elles pourraient également causer un incendie à l'intérieur du sac/réservoir de l'aspirateur.

Avertissements supplémentaires concernant la sécurité

Maintenez les poignées sèches et exemptes d'huile et de graisse. On ne peut pas maîtriser un outil électroportatif en toute sécurité quand on a les mains glissantes.

Créez un agenda d'entretien périodique pour votre outil. Quand vous nettoyez un outil, faites attention de n'en démonter aucune pièce car il est toujours possible de mal remonter ou de pincer les fils internes ou de remonter incorrectement les ressorts de rappel des capots de protection. Certains agents de nettoyage tels que l'essence, le tétrachlorure de carbone, l'ammoniaque, etc. risquent d'abîmer les plastiques.

Le produit ne doit être réparé que par un centre de service après-vente usine Bosch ou un centre de service agréé par Bosch. Ce produit ne contient pas de pièces pouvant être réparées par l'utilisateur en dehors de celles qui sont mentionnées par ailleurs dans ce mode d'emploi.

AVERTISSEMENT


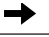
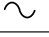
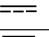
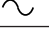

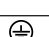





Les travaux à la machine tel que ponçage, sciage, meulage, perçage et autres travaux du bâtiment peuvent créer des poussières contenant des produits chimiques qui sont des causes reconnues de cancer, de malformation congénitale ou d'autres problèmes reproductifs. Ces produits chimiques sont, par exemple :

- Le plomb provenant des peintures à base de plomb,
- Les cristaux de silices provenant des briques et du ciment et d'autres produits de maçonnerie, et
- L'arsenic et le chrome provenant des bois traités chimiquement.

Le niveau de risque dû à cette exposition varie avec la fréquence de ces types de travaux. Pour réduire l'exposition à ces produits chimiques, il faut travailler dans un lieu bien ventilé et porter un équipement de sécurité approprié tel que certains masques à poussière conçus spécialement pour filtrer les particules microscopiques.

Symboles

IMPORTANT : Certains des symboles suivants peuvent être utilisés sur votre outil. Veuillez les étudier et apprendre leur signification. Une interprétation appropriée de ces symboles vous permettra d'utiliser l'outil de façon plus efficace et plus sûre.

Symbole	Nom	Désignation/Explication
V	Volts	Tension (potentielle)
A	Ampères	Courant
Hz	Hertz	Fréquence (cycles par seconde)
W	Watt	Puissance
kg	Kilogrammes	Poids
min	Minutes	Temps
s	Secondes	Temps
∅	Diamètre	Taille des mèches de perceuse, meules, etc.
n_0	Vitesse à vide	Vitesse de rotation, à vide
n	Vitesse nominale	Vitesse maximum pouvant être atteinte
.../min	Tours ou mouvement alternatif par minute	Tours, coups, vitesse en surface, orbites, etc., par minute
0	Position d'arrêt	Vitesse zéro, couple zéro ...
1, 2, 3, ... I, II, III, ...	Réglages du sélecteur	Réglages de vitesse, de couple ou de position. Un nombre plus élevé signifie une vitesse plus grande
	Sélecteur variable à l'infini avec arrêt	La vitesse augmente depuis le réglage 0
	Flèche	Action dans la direction de la flèche
	Courant alternatif	Type ou caractéristique du courant
	Courant continu	Type ou caractéristique du courant
	Courant alternatif ou continu	Type ou caractéristique du courant
	Construction classe II	Désigne des outils construits avec double isolation
	Borne de terre	Borne de mise à la terre
	Symbole d'avertissement	Alerte l'utilisateur aux messages d'avertissement.
	Sceau Li-ion RBRC	Désigne le programme de recyclage des piles Li-ion.
	Sceau Ni-Cad RBRC	Désigne le programme de recyclage des piles Ni-Cad.
	Symbole de lecture du mode d'emploi	Alerte l'utilisateur pour lire le mode d'emploi
	Symbole de port de lunettes de sécurité	Alerte l'utilisateur pour porter des lunettes de sécurité

Symboles (suite)

IMPORTANT : Certains des symboles suivants peuvent être utilisés sur votre outil. Veuillez les étudier et apprendre leur signification. Une interprétation appropriée de ces symboles vous permettra d'utiliser l'outil de façon plus efficace et plus sûre.



Ce symbole signifie que cet outil est approuvé par Underwriters Laboratories.



Ce symbole indique que cet outil est reconnu par Underwriters Laboratories.



Ce symbole signifie que cet outil est approuvé par Underwriters Laboratories selon les normes des États-Unis et du Canada.



Ce symbole signifie que cet outil est approuvé par l'Association canadienne de normalisation.



Ce symbole signifie que cet outil est approuvé par l'Association canadienne de normalisation selon les normes des États-Unis et du Canada.



Ce symbole signifie que cet outil est approuvé par Intertek Testing Services selon les normes des États-Unis et du Canada.

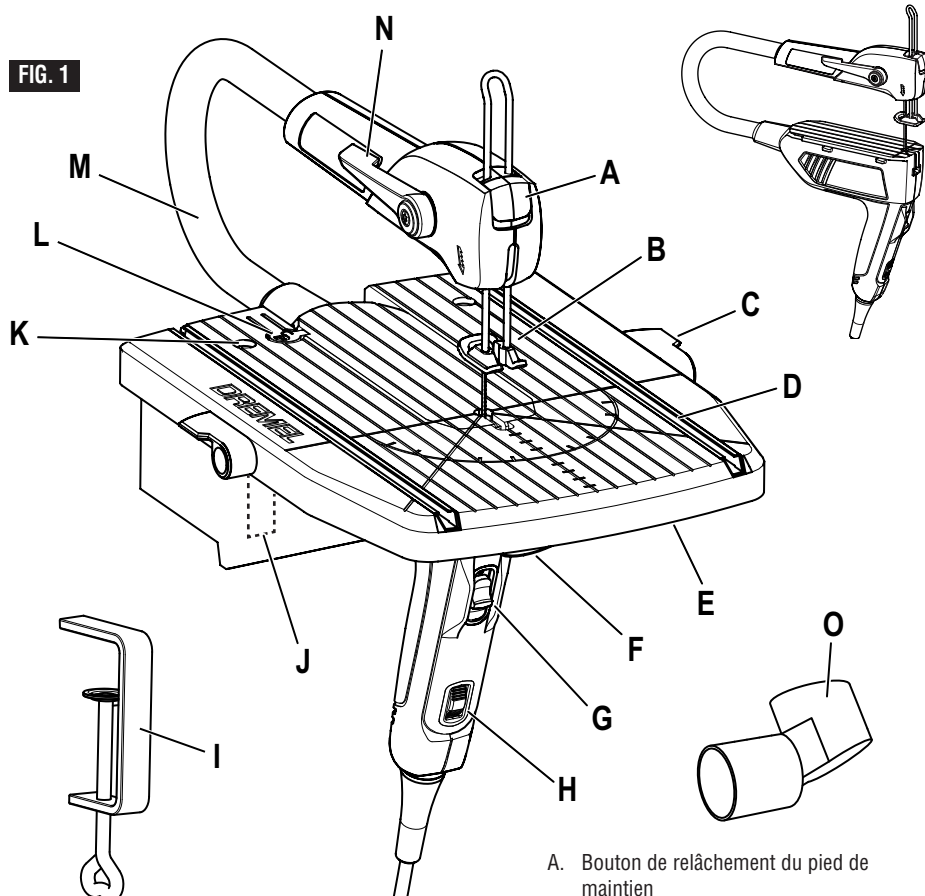


Ce symbole signifie que cet outil se conforme aux normes mexicaines NOM.

Description fonctionnelle et spécifications

AVERTISSEMENT Débranchez la fiche de la prise de courant avant d'effectuer quelque assemblage ou réglage que ce soit ou de changer les accessoires. Ces mesures de sécurité préventive réduisent le risque d'une mise en marche accidentelle de l'outil.

FIG. 1



- A. Bouton de relâchement du pied de maintien
- B. Pied de maintien
- C. Levier de verrouillage du guide
- D. Rail du guide
- E. Embase
- F. Point de raccordement de l'aspirateur
- G. Interrupteur marche/arrêt (ON/OFF)
- H. Sélecteur de vitesse à cadran
- I. Brides de fixation
- J. Fente pour la fixation
- K. Orifice pour fixation permanente
- L. Bouton de relâchement rapide
- M. Moto-Saw
- N. Levier de changement rapide pour les accessoires
- O. Adaptateur pour le tuyau flexible de l'aspirateur

Dremel Moto-Saw 2 en 1 Scie à découper compacte MS20	
Tension nominale	120V ~ 60Hz
Ampères	0,6 A
Vitesse à vide	1 500 - 2 250
Profondeur de la gorge	9,84 po
Longueur de la course	0,31 po
Poids	2,4 lbs
Longueur de la lame	3,8 po

Assemblage

⚠ AVERTISSEMENT Déconnectez la fiche de la prise de courant avant de procéder à de quelconques montages, réglages ou changements d'accessoires. De telles mesures de sécurité préventives réduisent le risque de démarrage accidentel de l'outil.

Fixation de la lame sur l'outil Moto-Saw

1. Depuis le devant de l'outil, tirez le levier de changement rapide vers vous pour le mettre en position desserrée, Fig. 2.
2. Placez l'extrémité de la lame de scie comportant la broche du bas dans le coin inférieur de la zone inférieure de fixation d'un accessoire. Les dents de la lame doivent être orientées vers le bas, Fig. 3.
3. Placez l'extrémité de la scie comportant la broche du haut dans la zone supérieure de l'outil prévue pour la fixation d'un accessoire en la faisant pivoter vers l'avant en direction de la zone de fixation supérieure de l'outil, Fig. 4.
4. Appuyez sur le levier de changement rapide pour le pousser dans le sens opposé à vous afin de le mettre en position serrée pour fixer la lame en place, Fig. 5.

Pour retirer l'accessoire, suivez la procédure inverse.

FIG. 2

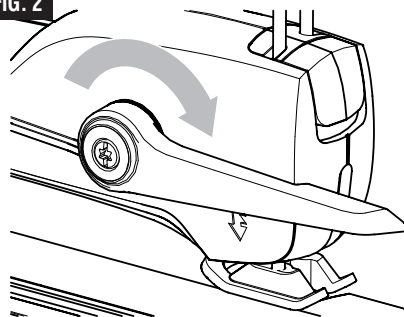


FIG. 3

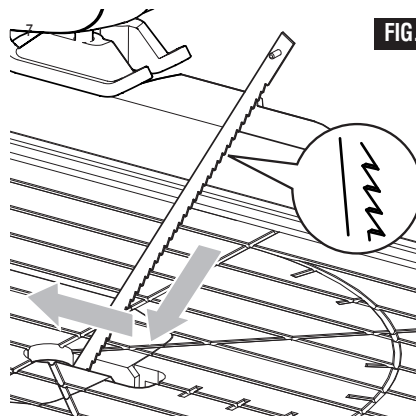


FIG. 4

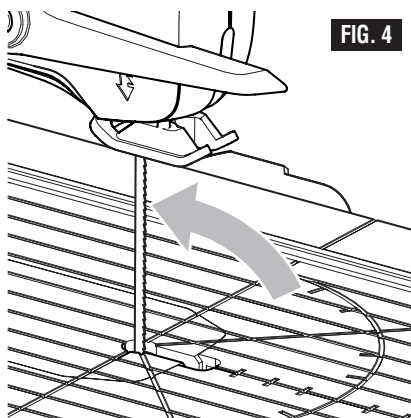
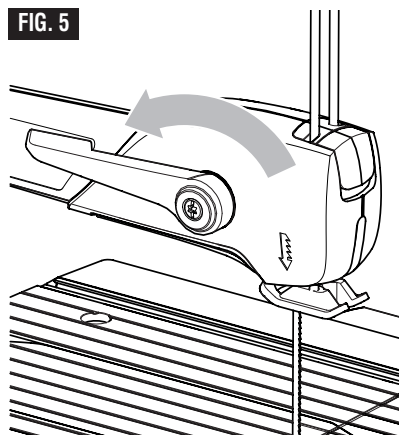


FIG. 5



Assemblage de l'embase en vue d'un emploi en position fixe

⚠ AVERTISSEMENT Déconnectez la fiche de la prise de courant avant de procéder à de quelconques montages, réglages ou changements d'accessoires. De telles mesures de sécurité préventives réduisent le risque de démarrage accidentel de l'outil.

Montez l'embase sur une surface de travail plate à une hauteur confortable. Assurez-vous que la surface de travail a une surface de travail telle qu'elle puisse accepter les brides de fixation et/ou les vis de montage. Le montage de l'embase sur une surface instable pourrait causer un accident.

1. Positionnez le poste de sciage sur le bord avant de la surface de travail place à laquelle le poste de sciage sera assujéti.
2. Éliminez le filet des brides de fixation fournies pour assurer qu'elles pourront se fixer sur la surface de travail. Faites glisser le bord plat de la bride de fixation dans la fente qui se trouve au bas du poste de sciage et serrez la bride de fixation pour empêcher le poste de sciage de bouger pendant l'emploi, Fig. 6.

L'embase peut être assujéti de façon permanente à un établi au moyen de vis ordinaires qui peuvent être insérées à travers les deux orifices situées en haut de l'embase, Fig. 7.

3. Enfoncez le cordon d'alimentation de l'outil Moto-Saw dans le trou du centre de l'embase, Fig. 8.
4. Abaissez l'outil Moto-Saw sur la surface du poste de sciage, puis poussez-le vers l'avant jusqu'à ce que vous entendiez un déclic indiquant qu'il est dans sa position verrouillée, Fig. 9.

FIG. 6

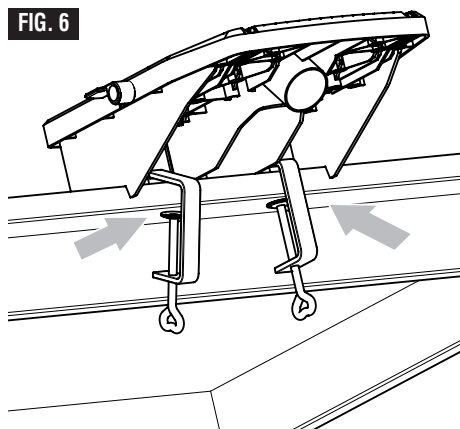


FIG. 7

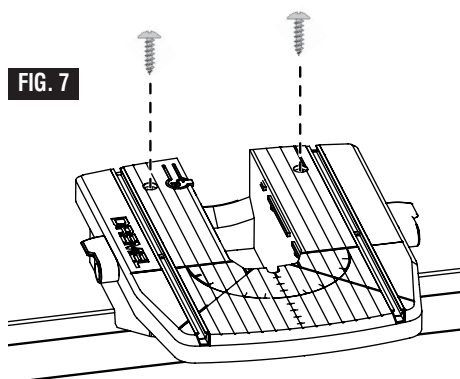


FIG. 8

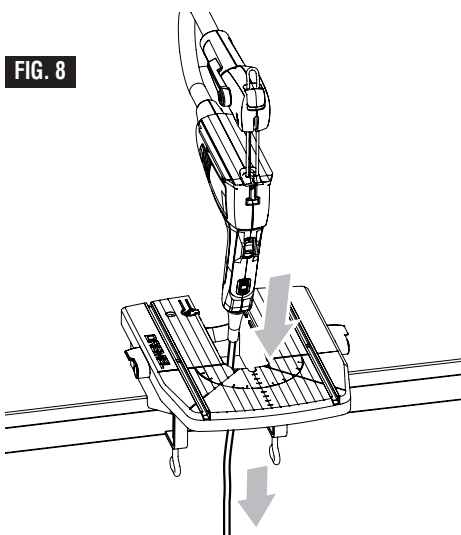
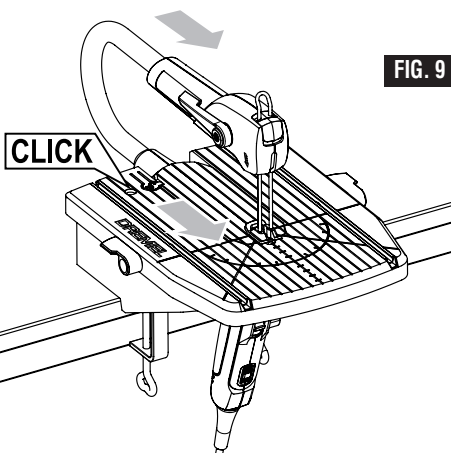
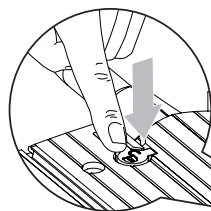


FIG. 9



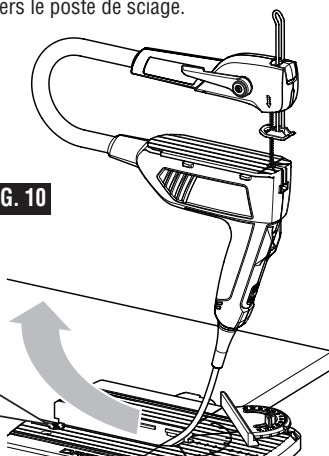
Retrait de l'outil Moto-Saw afin de pouvoir l'utiliser à la main

1. Débranchez l'outil Moto-Saw.
2. Appuyez sur le bouton de déverrouillage à l'arrière de la surface de travail du poste de sciage.
3. Faites glisser l'outil Moto-Saw vers l'arrière à nouveau pour le libérer du mécanisme de verrouillage.



4. Soulevez l'outil Moto-Saw pour le faire sortir du poste de sciage et tirez le cordon d'alimentation à travers le poste de sciage.

FIG. 10



Installation du système d'extraction de la poussière

Lors de toute connexion de l'outil à un système de ramassage ou d'extraction de la poussière, assurez-vous que ce système est bien raccordé et utilisé conformément aux instructions du mode d'emploi de l'outil et de l'aspirateur. Une utilisation appropriée des systèmes de ramassage de la poussière permet d'augmenter la productivité au maximum.

N'utilisez pas de système d'extraction de la poussière lorsque vous travaillez sur du métal. Les particules générées par une opération de ponçage, rectification ou coupe du métal peuvent être très chaudes et produire des étincelles qui pourraient causer la fusion d'adaptateurs en plastique ou de tuyaux d'aspiration flexibles, et elles pourraient également causer un incendie à l'intérieur du sac/réservoir de l'aspirateur.

Positionnez les tuyaux flexibles d'inspiration de telle façon qu'ils ne bloquent pas l'interrupteur. Vous devez veiller à ce que l'accès à l'interrupteur marche/arrêt (ON/OFF) soit toujours bien dégagé afin d'assurer un contrôle adéquat.

Votre outil Moto-Saw inclut un adaptateur pour connecter le tuyau flexible d'un aspirateur. L'adaptateur peut être utilisé pour connecter le tuyau flexible d'un aspirateur au côté droit ou gauche de l'outil, Fig. 11.

L'extérieur de l'adaptateur peut être utilisé pour connecter des tuyaux de 1 po et l'intérieur de l'adaptateur peut être utilisé pour connecter des tuyaux de 1 po.

1. Attachez l'adaptateur du système d'extraction de la poussière sur le poste de sciage.

2. Attachez le tuyau de l'aspirateur à l'adaptateur prévu à cet effet.

Pour retirer l'adaptateur, inversez les instructions ci-dessus.

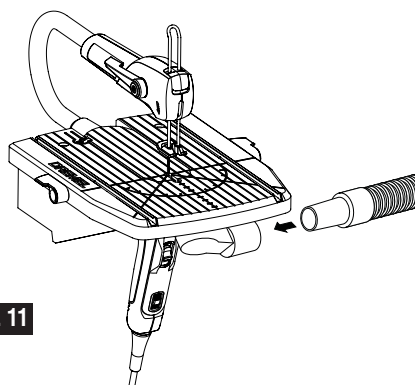
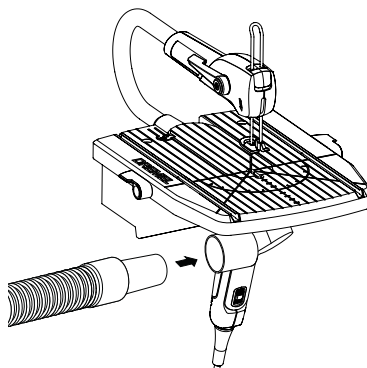


FIG. 11



Installation du guide/de la jauge à onglets (accessoire optionnel)

Votre outil Moto-Saw peut utiliser à la fois un guide et une jauge à onglets.

Pour utilisation de l'outil avec une jauge à onglets :

1. Pour utiliser la jauge à onglets, faites glisser la section en métal en forme de T sur la piste de la surface du poste de sciage, Fig. 12.
2. Tournez le bouton de la jauge à onglets afin d'ajuster l'angle de celle-ci, et serrez une fois que vous avez atteint l'angle désiré, Fig. 13.

Pour utilisation de l'outil avec un guide :

1. Installez la jauge à onglets tel que décrit ci-dessus.
2. Ajustez l'angle d'onglet à 90° puis faites glisser la jauge à onglets jusqu'à la position désirée pour le guide, Fig. 14.
3. Faites tourner le levier bleu sur le côté du poste de sciage vers l'avant afin de verrouiller.

Pour retirer le guide ou la jauge à onglets, inversez la procédure ci-dessus.

FIG. 12

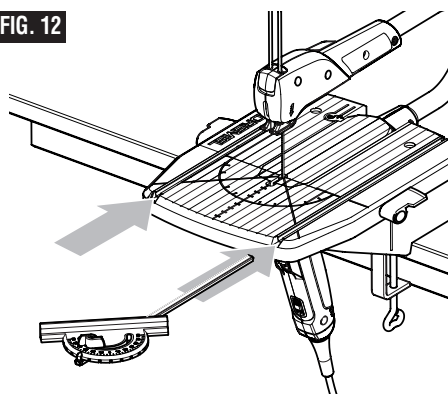


FIG. 13

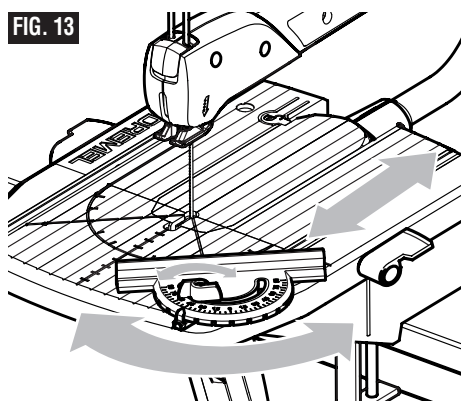
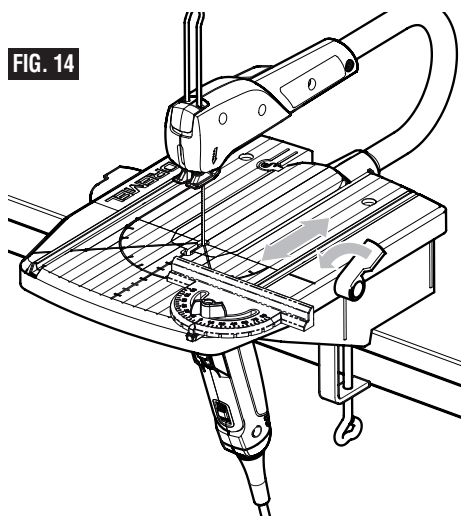


FIG. 14



Consignes de fonctionnement

L'outil Moto-Saw est une scie à découper 2 en 1 compacte et très facile à utiliser. Il peut être utilisé soit en mode fixe, lorsque l'outil est fixé sur son embase, soit en mode manuel. Cet outil est conçu pour effectuer des coupes droites et incurvées avec précision dans différents matériaux, y compris dans le bois tendre, le bois dur, les panneaux composites, les matériaux stratifiés, le PVC ou la tôle souple à l'aide des accessoires applicables recommandés par Dremel.

Les dents de cet outil coupent uniquement lorsque la course est descendante. Il faut faire avancer l'ouvrage très lentement en direction de la lame de la scie car les dents sont petites et elles ne peuvent retirer que de petits morceaux de matériau à la fois. Si vous essayez de couper trop rapidement, vous risquez de tordre ou de casser la lame.

Pour couper avec une précision optimale, essayez de compenser la tendance des lames à suivre le grain du bois pendant que vous coupez.

Utilisation – Mode manuel

L'utilisation de l'outil Moto-Saw en mode manuel est conseillée lorsque l'ouvrage est excessivement volumineux ou en position fixe, et qu'il n'est donc pas possible de le manœuvrer sur l'embase. Un fonctionnement en mode manuel inclut fréquemment des opérations consistant à chantourner ou former de grands ouvrages en bois. Ne coupez pas de matériaux autres que du bois lorsque vous travaillez en mode manuel.

⚠ AVERTISSEMENT Ne laissez jamais l'interrupteur en position de marche (ON). Assurez-vous que les interrupteurs sont en position arrêt (OFF) avant de brancher l'outil. Des démarrages accidentels pourraient causer des blessures.

1. Saisissez l'outil Moto-Saw tel que décrit à la Fig. 15.
2. Ajustez le cadran de vitesses variables en fonction de la lame et du matériau que vous voulez couper. Vous pouvez vous référer au tableau de la page 18 pour déterminer la vitesse qu'il convient d'utiliser en fonction de votre ouvrage. Ce tableau vous aidera à savoir comment choisir à la fois le bon accessoire et la vitesse idéale en un clin d'œil.
3. Après vous êtes assuré au préalable que l'ouvrage est solidement fixé, prenez l'outil et ajustez le pied de maintien de façon qu'il repose sur l'ouvrage, Fig. 16.

⚠ AVERTISSEMENT Ne mettez jamais l'outil en marche pendant que la lame est en contact avec l'ouvrage. Laissez le moteur tourner jusqu'à ce qu'il atteigne sa vitesse de croisière avant de commencer à couper. Vous risqueriez de perdre le contrôle de l'outil si la lame était en contact avec l'ouvrage au moment du démarrage.

4. Mettez l'outil en marche (ON) et laissez-le atteindre sa vitesse de croisière avant de mettre la lame en contact avec l'ouvrage. Pour mettre l'outil en

FIG. 15

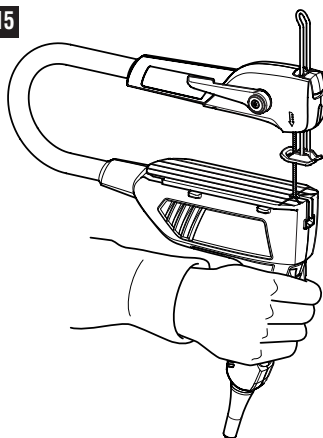
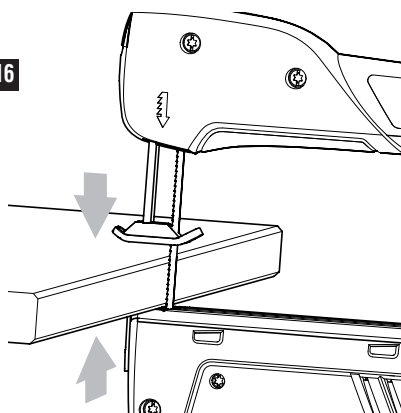


FIG. 16



marche (ON), faites glisser le commutateur coulissant qui se trouve à l'avant de la poignée principale.

POUR METTRE L'OUTIL EN POSITION DE MARCHÉ (ON), faites glisser le bouton de l'interrupteur vers le haut.

- Faites avancer lentement l'ouvrage à la rencontre de la lame tout en guidant l'opération de coupe.

⚠ AVERTISSEMENT **Ne forcez pas la scie lorsque la lame est engagée dans l'ouvrage.** La précision de la coupe risquerait d'être compromise et la lame pourrait se briser si une force excessive est appliquée.

Mode fixe

L'utilisation de l'outil Moto-Saw en mode fixe vous donne la liberté de pouvoir couper en tenant votre ouvrage des deux mains. Dans ce mode, vous pouvez réaliser divers projets de travail du bois dans le cadre de vos activités professionnelles ou de vos loisirs en coupant facilement et de façon précise des ouvrages en bois, en plastique ou en métal mince lorsque vous utilisez la lame correcte.

⚠ AVERTISSEMENT **Ne laissez jamais l'interrupteur en position de marche (ON). Assurez-vous que les interrupteurs sont en position arrêt (OFF) avant de brancher l'outil.** Des démarrages accidentels pourraient causer des blessures.

- Assurez-vous que l'embase est solidement attachée à une surface de travail plate à l'aide des brides de fixation fournies ou qu'elle est assujettie par des vis.
- Ajustez le cadran de vitesses variables en fonction de la lame et du matériau que vous voulez couper. Vous pouvez vous référer au tableau de la page 18 pour déterminer la vitesse qu'il convient d'utiliser en fonction de votre ouvrage. Ce tableau vous aidera à savoir comment choisir à la fois le bon accessoire et la vitesse idéale en un clin d'oeil. Lorsque vous coupez du plastique ou de la tôle, placez votre ouvrage sur un morceau de carton pour réduire les vibrations. Coupez les deux matériaux pour produire une coupe plus précise et plus nette.
- Faites avancer l'ouvrage en direction de la lame de l'outil.

⚠ AVERTISSEMENT **Gardez les mains à bonne distance de la zone de coupe. Ne tenez pas à la main des pièces tellement petites que vos doigts risqueraient d'aller en**

6. À l'issue de la coupe, éloignez l'outil et la lame de l'ouvrage et mettez l'interrupteur dans la position arrêt (OFF)

POUR METTRE L'OUTIL EN POSITION D'ARRÊT, faites glisser le bouton de l'interrupteur vers le bas.

dessous du pied articulé. N'étendez pas votre bras en dessous de l'ouvrage et ne mettez pas vos doigts sur la trajectoire de coupe de la lame pour quelque raison que ce soit. Si votre main est positionnée très près de la lame, elle risquerait d'entrer en contact avec celle-ci et vous risqueriez alors de vous blesser.

- Appuyez sur le pied de maintien pour faire pression sur l'ouvrage afin de l'empêcher de rebondir.

⚠ AVERTISSEMENT **Ne mettez jamais l'outil en marche lorsque la lame est en contact avec l'outil. Laissez le moteur atteindre sa vitesse de croisière avant de commencer une coupe.** Si la lame est en contact avec l'ouvrage au moment du démarrage, vous risquez de perdre le contrôle de l'outil.

- Mettez l'outil en marche (ON) et laissez-le atteindre sa vitesse de croisière avant de mettre la lame en contact avec l'ouvrage. Pour mettre l'outil en marche (ON), faites glisser le commutateur coulissant qui se trouve à l'avant de la poignée principale.

POUR METTRE L'OUTIL EN POSITION DE MARCHÉ (ON), faites glisser le bouton de l'interrupteur vers le haut.

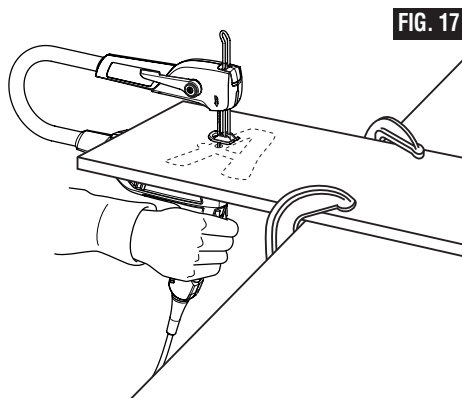
⚠ AVERTISSEMENT **Ne forcez pas la scie lorsque la lame est engagée dans l'ouvrage.** La précision de la coupe risquerait d'être compromise et la lame pourrait se briser si une force excessive est appliquée.

6. À l'issue de la coupe, éloignez l'outil et la lame de l'ouvrage et mettez l'interrupteur dans la position arrêt (OFF).

POUR METTRE L'OUTIL EN POSITION D'ARRÊT (OFF), faites glisser le bouton de l'interrupteur vers le bas.

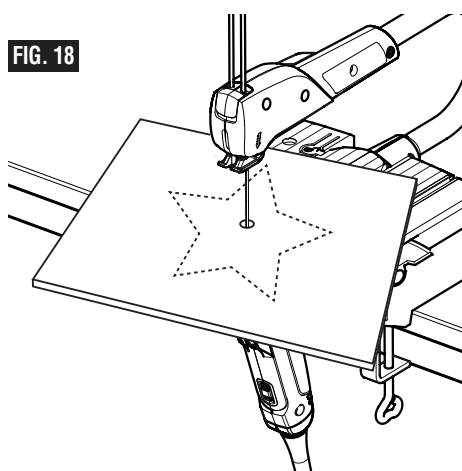
Coupe intérieure – Mode manuel

1. Dessinez le contour de l'ouvrage que vous souhaitez découper. Percez un trou de ¼ po dans l'ouvrage.
2. Retirez la lame de la scie. Référez-vous à la section intitulée « Fixation de la lame sur l'outil Moto-Saw ».
3. Référez-vous à la section intitulée « Fixation de la lame sur l'outil Moto-Saw » et réinstallez la lame à travers le trou dans l'ouvrage.
4. Suivez les étapes trois à cinq dans la section intitulée « Utilisation – Mode manuel ».
5. À l'issue de la coupe, référez-vous à la section intitulée « Fixation de la lame sur l'outil Moto-Saw » pour retirer la lame de la scie afin de libérer l'ouvrage.



Coupe intérieure – Mode fixe

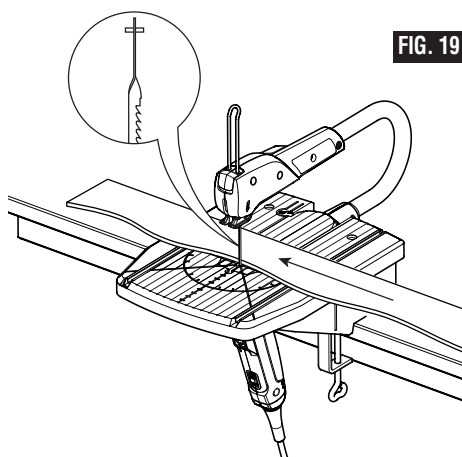
1. Dessinez le contour de l'ouvrage que vous souhaitez découper. Percez un trou de ¼ po dans l'ouvrage.
2. Retirez la lame de la scie. Référez-vous à la section intitulée « Fixation de la lame sur l'outil Moto-Saw ».
3. Placez l'ouvrage sur la table de sciage en plaçant le trou dans l'ouvrage en dessus du trou d'accès dans la table.
4. Référez-vous à la section intitulée « Fixation de la lame sur l'outil Moto-Saw » et réinstallez la lame à travers le trou dans l'ouvrage.
5. Suivez les étapes indiquées dans la section intitulée « Utilisation – Mode fixe ».
6. À l'issue de la coupe, référez-vous à la section intitulée « Fixation de la lame sur l'outil Moto-Saw » pour retirer la lame de la scie afin de libérer l'ouvrage.



Coupe latérale

L'utilisation de l'outil Moto-Saw avec une lame de coupe latérale vous permet de réaliser des coupes de gauche à droite ou de droite à gauche sur toute la largeur de l'outil. Dans cette configuration, vous pouvez travailler avec des ouvrages en bois ou en plastique plus longs qui pourraient autrement être trop grands pour être coupés dans le sens avant arrière étant donné que, comme cela, le matériau ne heurtera pas l'arrière de l'outil. N'utilisez pas cet outil avec du métal dans cette configuration de coupe latérale.

1. Référez-vous à la section intitulée « Fixation de la lame sur l'outil Moto-Saw » et installez la lame de coupe latérale MS50 sur l'outil Moto-Saw.
2. Suivez les étapes indiquées dans la section intitulée « Utilisation – Mode manuel » pour couper latéralement du bois ou dans la section « Utilisation – Mode fixe » pour couper latéralement du bois et du plastique.



Renseignements sur l'entretien

Entretien

AVERTISSEMENT Déconnectez la fiche de la prise de courant avant de procéder à de quelconques montages, réglages ou changements d'accessoires. De telles mesures de sécurité préventives réduisent le risque de démarrage accidentel de l'outil.

AVERTISSEMENT Le produit ne doit être réparé que par un centre de service après-vente usine Bosch ou un centre de service agréé par Bosch. Ce produit ne contient pas de pièces pouvant être réparées par l'utilisateur en dehors de celles qui sont mentionnées par ailleurs dans ce mode d'emploi.

Nettoyage

AVERTISSEMENT Pour éviter le risque d'accidents, débranchez toujours l'outil de la prise de courant avant de procéder au nettoyage ou à l'entretien. Vous pouvez très bien le nettoyer à l'air comprimé. Dans ce cas, portez toujours des lunettes de sécurité.

Gardez les prises d'air et les interrupteurs propres et libres de débris. N'essayez pas de les nettoyer en introduisant des objets pointus dans leurs ouvertures.

MISE EN GARDE Certains agents de nettoyage et certains dissolvants abîment les pièces en plastique. Citons parmi ceux-ci : l'essence, le tétrachlorure de carbone, les dissolvants de nettoyage chlorés, l'ammoniaque ainsi que les détergents domestiques qui en contiennent.

Rallonges

AVERTISSEMENT Si un cordon de rallonge s'avère nécessaire, vous devez utiliser un cordon avec conducteurs de dimension adéquate pouvant porter le courant nécessaire à votre outil. Ceci préviendra une chute excessive de tension, une perte de courant ou une surchauffe. Les outils mis à la terre doivent utiliser des cordons de rallonge trifilaires pourvus de fiches à trois broches ainsi que des prises à trois broches.

REMARQUE: Plus le calibre est petit, plus le fil est gros.

DIMENSIONS DE RALLONGES RECOMMANDÉES OUTILS 120 VOLTS COURANT ALTERNATIF

Intensité nominale de l'outil	Calibre A.W.G.				Calibre en mm ²			
	Longueur en pieds				Longueur en mètres			
	25	50	100	150	15	30	60	120
2-6	18	16	16	14	0,75	0,75	1,5	2,5
6-8	18	16	14	12	0,75	1,0	2,5	4,0
8-10	18	16	14	12	0,75	1,0	2,5	4,0
10-12	16	16	14	12	1,0	2,5	4,0	—
12-16	14	12	—	—	—	—	—	—

Accessoires Dremel

AVERTISSEMENT

Utilisez seulement des lames Dremel Moto-Saw. Utilisez des lames de la taille et du style appropriés, et adaptées à la vitesse de coupe qui convient, en fonction du matériau et du type de coupe. L'utilisation de la lame correcte réduit le risque de cassure au minimum.

Les dents des lames Moto-Saw s'usent et doivent être remplacées fréquemment pour continuer à fournir les meilleurs résultats de coupe possibles.

Les lames Moto-Saw sont fabriquées de façon à rester affûtées pendant au minimum une demi-heure et maximum deux heures de coupe.

La durée de vie des lames dépend du type de matériaux coupés, de leur épaisseur, du type de lame et de l'utilisateur.

Les utilisateurs risquent également de raccourcir la durée de vie de la lame s'ils forcent excessivement sur la lame lorsqu'ils coupent.

Lames Moto-Saw

MS51 – Lame universelle pour le bois et le plastique

Conçue pour réaliser des coupes droites et des coupes incurvées de grand diamètre dans des matériaux tels que le bois tendre, les matériaux stratifiés et les plastiques.

MS52 – Lame fine pour couper le bois

Conçue pour réaliser des coupes droites et des coupes incurvées complexes de petit diamètre dans des matériaux tels que le bois tendre, les matériaux stratifiés et les plastiques.

MS53 – Lame pour couper le métal

Conçue pour réaliser des coupes droites et des coupes incurvées dans la tôle souple.

MS50 – Lame pour effectuer des coupes latérales

Conçue pour réaliser des coupes droites et des coupes incurvées dans de grands morceaux de bois tendre et de plastique.

Réglages de vitesse

Matériau		Vitesse de l'outil	Épaisseur conseillée	MS51 – lame pour couper le bois et le plastique	MS52 – lame fine pour couper le bois	MS53 – lame pour couper le métal	MS50 – lame pour effectuer des coupes latérales
Bois	Contreplaqué	6	0,75 po	x	x		x
	Pin	6	0,75 po	x	x		x
	Peuplier	6	0,75 po	x	x		x
	Balsa	6	1,75 po	x	x		x
	Planchers stratifiés	6	0,5 po	x	x		x
Métal	CVAC	6	20-ga.			x	
	TIN	6	20-ga.			x	
	Feuilles d'aluminium	6	20-ga.			x	
	Tôle galvanisée	6	20-ga.			x	
Plastique	Plexiglass	4	0,2 po	x	x		x
	Tuyaux en PVC	4	0,75 po	x	x		x

Conseils relatifs aux meilleures pratiques

- Trois facteurs auront un effet important sur la coupe lorsque vous utilisez une scie à découper :
 1. Le matériau coupé.
 2. La vitesse de la lame (coups à la minute)
 3. La vitesse de coupe (rapidité de l'avancée du matériau à la rencontre de la lame)
- Il n'existe AUCUNE lame qui soit appropriée pour tous les types d'opération de coupe.
- Une lame épaisse doit être utilisée pour des matériaux épais et une lame plus fine doit être utilisée pour des matériaux plus fins. Plus la lame est fine, plus elle sera en mesure d'effectuer des courbes serrées.
- Trois ou quatre dents doivent toujours être en contact avec l'ouvrage pendant la coupe.
- La coupe de matériaux durs tels que du métal et de matériaux pouvant fondre, tels que de l'acrylique, nécessitera généralement une vitesse inférieure de l'outil et un taux d'avancement du matériau plus faible.
- Le meilleur point de départ pour n'importe quelle opération de coupe est à un point ou dans un coin parce que vous pouvez contrôler l'intersection de la coupe et la rendre aussi lisse que nécessaire.
- Certaines actions nécessiteront de la pratique – par exemple pour couper un coin ou faire un tour à 180°.
- Les scies à découper peuvent présenter des difficultés particulières lorsque vous essayez de réaliser une coupe droite. Cependant, une telle opération sera facile si vous vous entraînez un peu au préalable. Habituez-vous à compenser le grain en tournant légèrement le matériau de façon à pouvoir continuer à scier tout droit. Une fois que le degré de compensation aura été déterminé pour un matériau quelconque, vous serez en mesure de couper tout droit si vous apprenez à bien sélectionner la lame, la vitesse et le taux d'avancement.
- Si une lame semble couper trop lentement ou semble s'éloigner de sa trajectoire sans que vous puissiez la contrôler, il est fort possible que la cause du problème provienne du fait que la lame est émoussée. Rien ne peut remplacer une lame bien affûtée. Le bois et le métal émoussent rapidement une lame. Si vous effectuez des opérations de coupe fréquentes, changez votre lame aussi souvent que cela est nécessaire.

Garantie limitée de Dremel®

Votre produit Dremel est garanti contre les vices de matériau ou de façon pendant un délai de deux ans à compter de la date d'achat. Dans l'hypothèse où le produit ne se conformerait pas à cette garantie écrite, veuillez procéder de la façon suivante :

1. NE RAPPORTEZ PAS votre produit à l'endroit où vous l'avez acheté.
2. Emballez avec soin le produit seul, sans aucun autre article, et renvoyez-le, en port payé, accompagné :
 - A. d'une copie de votre justificatif d'achat daté (veuillez en garder une copie pour vous-même)
 - B. d'une déclaration écrite concernant la nature du problème
 - C. d'une indication de vos nom, adresse et numéro de téléphone, à l'adresse suivante :

ÉTATS-UNIS

Dremel Service Center
4915 21st Street
Racine, WI 53406

OU

CANADA

Giles Tool Agency
 47 Granger Av.
 Canada M1K 3K9 1-416-287-3000

À L'EXTÉRIEUR DU TERRITOIRE CONTINENTAL DES ÉTATS-UNIS

Consultez votre distributeur local ou écrivez à Dremel : 4915 21st Street Racine, WI 53406

Nous vous recommandons d'assurer le paquet contre la perte ou les dommages en cours de route dont nous ne pouvons assumer la responsabilité.

Cette garantie n'est offerte qu'à l'acheteur enregistré d'origine. LES DOMMAGES AU PRODUIT RÉSULTANT DE MANIPULATIONS ABUSIVES, D'ACCIDENTS, D'USAGES ABUSIFS, DE NÉGLIGENCE, DE RÉPARATIONS OU D'ALTÉRATIONS NON AUTORISÉES, D'UTILISATION D'ACCESSOIRES NON APPROUVÉS OU D'AUTRES CAUSES NON LIÉES AU MATÉRIAU OU À LA FAÇON NE SONT PAS COUVERTS PAR CETTE GARANTIE.

Aucun employé, mandataire, vendeur ou autre n'est autorisé à accorder des garanties au nom de Dremel. Si l'inspection effectuée par Dremel révèle que le problème a été causé par un problème de matériau ou de façon dans les limites de la garantie, Dremel réparera ou remplacera le produit gratuitement et renverra le produit en port payé. Si elles peuvent être effectuées, les réparations rendues nécessaires par l'usure normale ou un usage abusif, ou les réparations du produit une fois la période de garantie expirée, seront facturées aux tarifs réguliers de l'usine.

DREMEL N'ACCORDE AUCUNE AUTRE GARANTIE DE QUELQUE NATURE QUE CE SOIT, EXPLICITE OU IMPLICITE, ET TOUTES LES GARANTIES IMPLICITES DE COMMERCIALISATION ET D'APTITUDE À UN USAGE PARTICULIER EN PLUS DE L'OBLIGATION SUSVISÉE SONT REJETÉES PAR LES PRÉSENTES PAR DREMEL ET EXCLUES DE CETTE GARANTIE LIMITÉE.

Cette garantie vous accorde certains droits précis, et vous pouvez également avoir d'autres droits qui varient d'un endroit à un autre. L'obligation du garant se limite à réparer ou remplacer le produit. Le garant n'est responsable d'aucun dommage accessoire ou indirect attribuable à de telles défaillances alléguées. Certaines juridictions ne permettent pas l'exclusion ou la limitation des dommages accessoires ou indirects ; il se peut donc que les limitations ou l'exclusion qui précède ne s'appliquent pas à vous.

En ce qui concerne les prix et la façon de vous prévaloir de la garantie sur le territoire continental des États-Unis, mettez-vous en contact avec votre distributeur Dremel local.

Exportado por: © Robert Bosch Tool Corporation Mt. Prospect, IL 60056 -2230, E.U.A.

Importado a México por: Robert Bosch, S. de R.L. de C.V.
 Calle Robert Bosch No. 405 - 50071 Toluca, Edo. de Méx. - México
 Tel. 052 (722) 279 2300 ext 1160 / Fax. 052 (722) 216-6656

Advertencias generales de seguridad para herramientas mecánicas

ADVERTENCIA

Lea todas las advertencias de seguridad e instrucciones. Si no se siguen las advertencias e instrucciones, el resultado podría ser sacudidas eléctricas, incendio y/o lesiones graves.

GUARDE TODAS LAS ADVERTENCIAS E INSTRUCCIONES PARA REFERENCIA FUTURA

La expresión "herramienta mecánica" en las advertencias se refiere a su herramienta mecánica alimentada por la red eléctrica (herramienta alámbrica) o su herramienta mecánica alimentada por baterías (herramienta inalámbrica).

Seguridad del área de trabajo

Mantenga el área de trabajo limpia y bien iluminada.

Las áreas desordenadas u oscuras invitan a que se produzcan accidentes.

No utilice herramientas mecánicas en atmósferas explosivas, como por ejemplo en presencia de líquidos, gases o polvos inflamables. Las herramientas mecánicas generan chispas que pueden incendiar el polvo o los vapores.

Mantenga alejados a los niños y a las personas que estén presentes mientras esté utilizando una herramienta mecánica. Las distracciones pueden hacerle perder el control de la herramienta.

Seguridad eléctrica

Los enchufes de las herramientas mecánicas deben coincidir con el tomacorriente. No modifique nunca el enchufe de ningún modo. No use enchufes adaptadores con herramientas mecánicas conectadas a tierra (puestas a tierra). Los enchufes no modificados y los tomacorrientes coincidentes reducirán el riesgo de sacudidas eléctricas.

Evite el contacto del cuerpo con las superficies conectadas o puestas a tierra, tales como tuberías, radiadores, estufas y refrigeradores. Hay un aumento del riesgo de sacudidas eléctricas si el cuerpo del operador se conecta o pone a tierra.

No exponga las herramientas mecánicas a la lluvia o a condiciones mojadas. La entrada de agua en una herramienta mecánica aumentará el riesgo de que se produzcan sacudidas eléctricas.

No maltrate el cordón de energía. No use nunca el cordón para transportar la herramienta mecánica, tirar de ella o desenchufarla. Mantenga el cordón alejado del calor, el aceite, los bordes afilados o las piezas móviles. Los cordones dañados o enganchados aumentan el riesgo de que se produzcan sacudidas eléctricas.

Cuando utilice una herramienta mecánica en el exterior, use un cordón de extensión adecuado para uso a la intemperie. La utilización de un cordón adecuado para uso a la intemperie reduce el riesgo de que se produzcan sacudidas eléctricas.

Si es inevitable utilizar una herramienta mecánica en un lugar húmedo, utilice una fuente de energía

protegida por un interruptor de circuito accionado por corriente de pérdida a tierra (GFCI). El uso de un GFCI reduce el riesgo de sacudidas eléctricas.

Seguridad personal

Manténgase alerta, fíjese en lo que está haciendo y use el sentido común cuando esté utilizando una herramienta mecánica. No use una herramienta mecánica cuando esté cansado o bajo la influencia de drogas, alcohol o medicamentos. Un momento de distracción mientras esté utilizando herramientas mecánicas podría causar lesiones corporales graves.

Use equipo de protección personal. Use siempre protección de los ojos. El equipo de protección, como por ejemplo una máscara antipolvo, calzado de seguridad antideslizante, casco o protección de oídos, utilizado para las condiciones apropiadas, reducirá las lesiones corporales.

Evite el arranque accidental. Asegúrese de que el interruptor esté en la posición de apagado antes de conectar la herramienta a la fuente de energía y / o al paquete de batería, levantar la herramienta o transportarla. Transportar herramientas mecánicas con un dedo en el interruptor o encender herramientas mecánicas que tengan el interruptor en la posición de encendido invita a que se produzcan accidentes.

Quite todas las llaves de ajuste o de tuerca antes de encender la herramienta mecánica. Una llave de tuerca o de ajuste que se deje colocada en una pieza giratoria de la herramienta mecánica podría causar lesiones corporales.

No intente alcanzar demasiado lejos. Mantenga un apoyo de los pies y un equilibrio apropiados en todo momento. Esto permite controlar mejor la herramienta mecánica en situaciones inesperadas.

Vístase adecuadamente. No use ropa holgada ni alhajas holgadas. Mantenga el pelo, la ropa y los guantes alejados de las piezas móviles. La ropa holgada, las alhajas holgadas o el pelo largo pueden quedar atrapados en las piezas móviles.

Si se proporcionan dispositivos para la conexión de instalaciones de extracción y recolección de polvo, asegúrese de que dichas instalaciones estén conectadas y se usen correctamente. El uso de dispositivos de recolección de polvo puede reducir los peligros relacionados con el polvo.

Uso y cuidado de las herramientas mecánicas

No fuerce la herramienta mecánica. Use la herramienta mecánica correcta para la aplicación que desee realizar. La herramienta mecánica correcta hará el trabajo mejor y con más seguridad a la capacidad nominal para la que fue diseñada.

No use la herramienta mecánica si el interruptor no la enciende y apaga. Toda herramienta mecánica que no se pueda controlar con el interruptor es peligrosa y debe ser reparada.

Desconecte el enchufe de la fuente de energía y/o el paquete de batería de la herramienta mecánica antes de hacer cualquier ajuste, cambiar accesorios o almacenar herramientas mecánicas. Dichas medidas preventivas de seguridad reducen el riesgo de arrancar accidentalmente la herramienta mecánica.

Guarde las herramientas que no esté usando fuera del alcance de los niños y no deje que personas que no estén familiarizadas con la herramienta mecánica o con estas instrucciones utilicen la herramienta. Las herramientas mecánicas son peligrosas en manos de usuarios que no hayan recibido capacitación.

Mantenga las herramientas mecánicas. Compruebe si hay piezas móviles desalineadas o que se atorán, si

hay piezas rotas y si existe cualquier otra situación que podría afectar el funcionamiento de la herramienta mecánica. Si la herramienta mecánica está dañada, haga que la reparen antes de usarla. Muchos accidentes son causados por herramientas mecánicas mantenidas deficientemente.

Mantenga las herramientas de corte afiladas y limpias. Es menos probable que las herramientas de corte mantenidas apropiadamente, con bordes de corte afilados, se atoren, y dichas herramientas son más fáciles de controlar.

Utilice la herramienta mecánica, los accesorios, las brocas de la herramienta, etc., de acuerdo con estas instrucciones, teniendo en cuenta las condiciones de trabajo y el trabajo que se vaya a realizar. El uso de la herramienta mecánica para operaciones distintas a aquéllas para las que fue diseñada podría causar una situación peligrosa.

Servicio de ajustes y reparaciones

Haga que su herramienta mecánica reciba servicio de un técnico de reparaciones calificado, utilizando únicamente piezas de repuesto idénticas. Esto asegurará que se mantenga la seguridad de la herramienta mecánica.

Normas de seguridad para la sierra caladora

Agarre la herramienta eléctrica por las superficies de agarre aisladas cuando realice una operación en la que el accesorio de corte pueda contactar cables ocultos o su propio cable de alimentación. Si el accesorio de corte contacta un cable con corriente, eso puede hacer que las partes metálicas de la herramienta eléctrica que están al descubierto lleven corriente y entonces podrían darle al operador una descarga eléctrica.

Utilice abrazaderas u otra manera práctica de sujetar firmemente y soportar la pieza de trabajo en una plataforma estable. Si sujeta la pieza de trabajo a mano o contra el cuerpo, eso la deja inestable y es posible que cause pérdida de control.

No deje nunca el interruptor en la posición de "ENCENDIDO". Antes de enchufar la herramienta, compruebe que los interruptores estén en la posición de "APAGADO". Los arranques accidentales podrían causar lesiones.

Mantenga las manos alejadas del área de corte. No ponga las manos debajo del material que se esté cortando. Es posible que la proximidad de la hoja a la mano quede oculta a la vista.

Mantenga las manos alejadas del espacio entre la caja de engranajes y el portahoja de sierra. El portahoja de movimiento alternativo puede pellizcarle los dedos.

Utilice sólo hojas Dremel Moto-Saw. Use el tamaño y estilo de hoja correctos, así como la velocidad de corte adecuada para el material y el tipo de corte. La utilización de la hoja apropiada minimiza el riesgo de rotura.

No use hojas desafiladas o dañadas. Las hojas desafiladas pueden doblarse y romperse fácilmente, y posiblemente golpear al operador.

Antes de comenzar a cortar, ENCIENDA la herramienta y deje que la hoja alcance la velocidad máxima. La herramienta puede chirriar o vibrar si la velocidad de la hoja es demasiado lenta al comienzo del corte y es posible que eso cause una pérdida de control.

Asegúrese de que todos los tornillos de ajuste y el portahoja estén apretados antes de hacer un corte. Los tornillos de ajuste y los portahojas flojos pueden hacer que la herramienta o la hoja resbale y el resultado puede ser pérdida de control.

Cuando retire la hoja de la herramienta, evite el contacto con la piel y use guantes protectores apropiados cuando agarre la hoja o el accesorio. Es posible que los accesorios estén calientes después de un uso prolongado y presenten un peligro de quemadura.

Reglas de seguridad para la estación de sierra

No deje nunca la herramienta en marcha desatendida. Apáguela. No deje la herramienta hasta que se haya detenido por completo.

No deje nunca el interruptor en la posición de "ENCENDIDO". Antes de enchufar la herramienta, compruebe que los interruptores estén en la posición de "APAGADO". Los arranques accidentales pueden causar lesiones.

Evite las operaciones complicadas y las posiciones difíciles de las manos, y asegúrese siempre de mantener un buen equilibrio. Un resbalón repentino podría hacer que la mano se mueva hasta la hoja.

Sujete con abrazaderas o emperne firmemente la estación de sierra a un banco de trabajo o una mesa estables y nivelados. La altura más cómoda de la mesa es aproximadamente la altura de la cintura.

No se ponga nunca de pie encima de la herramienta. Es posible que ocurran lesiones si la herramienta se voltea o si se contacta la hoja accidentalmente.

Antes de hacer un corte, asegúrese de que todos los ajustes estén seguros. Una mesa o unos protectores flojos podrían desplazarse durante el uso y hacer que usted pierda el control de la pieza de trabajo.

Ajuste siempre el pie bajable para que tenga una holgura mínima con la pieza de trabajo. Un ajuste apropiado del pie bajable estabilizará la pieza de trabajo, ayudará a proteger los dedos del operador y minimizará la rotura de la hoja.

Soporte siempre las piezas de trabajo grandes mientras esté cortando, para minimizar el riesgo de pellizcamiento de la hoja y pérdida de control. Una pieza de trabajo pesada puede hacer que la mesa resbale, se desplace o se deslice mientras se esté realizando un corte.

Asegúrese de que el recorrido de la hoja esté libre de clavos. Realice una inspección para detectar si hay clavos y, si los hay, retírelos de la madera de construcción o la pieza de trabajo antes de cortar o lijar.

Mantenga las manos alejadas del área de corte. No sujete con las manos piezas tan pequeñas que los dedos vayan debajo del pie bajable. No ponga las manos ni los dedos debajo de la pieza de trabajo o en el recorrido de corte de la hoja por ningún motivo. Una gran proximidad de las manos a la hoja puede causar contacto con la hoja y lesiones.

No arranque nunca la herramienta cuando la hoja esté en contacto con la pieza de trabajo. Deje que el motor alcance la máxima velocidad antes de comenzar un corte. Tener la hoja en contacto con la pieza de trabajo durante el arranque puede causar pérdida de control.

Observe y siga el sentido de avance correcto y no haga avanzar el material demasiado rápidamente. Sujete la pieza de trabajo firmemente contra la mesa. Haga avanzar la pieza de trabajo hacia la hoja contra los dientes de la hoja. Si se hace avanzar el material forzándolo demasiado, el resultado podría ser que la hoja se rompa.

Tenga precaución cuando corte materiales con una sección transversal irregular o piezas redondas, como por ejemplo varillas de espiga. Si es posible, acueste el material sobre su lado "plano" cuando lo esté cortando. En el caso de material redondo, use un bloque en "V" para soportarlo. El material ondulado, como por ejemplo las molduras, tenderá a oscilar y es posible que se atore mientras se realiza el corte. Las piezas redondas tenderán a rodar mientras se estén cortando y es posible que la hoja "penetre y se enganche", y arranque las piezas del control del operador.

No retire las piezas cortadas atoradas hasta que la hoja se haya detenido. No toque nunca la hoja ni otras piezas móviles durante el uso. El contacto con la hoja u otro mecanismo móvil puede causar lesiones.

Utilice la base sólo con la Dremel Moto-Saw. Es posible que otras herramientas no encajen y causen una situación peligrosa.

Posicione las mangueras de aspiración de manera que no se bloquee el interruptor de alimentación. Debe mantener un acceso despejado al interruptor de ENCENDIDO Y APAGADO para tener un control completo.

Cuando conecte la herramienta a sistemas de recolección y extracción de polvo, asegúrese de que éstos se conecten y utilicen de acuerdo con las instrucciones de la herramienta y de la aspiradora. El uso apropiado de los sistemas de recolección de polvo maximiza la efectividad.

Cuando utilice la herramienta con sistemas de recolección y extracción de polvo, vacíe el recipiente para polvo antes de comenzar el trabajo, frecuentemente durante el trabajo, después de completar el trabajo y antes de almacenar la herramienta. Tenga cuidado cuando deseche el polvo, ya que los materiales en forma de partícula fina pueden ser explosivos.

No arroje polvo a un fuego al descubierto. Las partículas de polvo fino pueden arder explosivamente.

No utilice extracción de polvo para operaciones que incluyan artículos que se estén quemando, estén humeando o estén ardiendo sin llama, como cenizas calientes o chispas. Es posible que se produzca un incendio dentro de la bolsa/tanque de la aspiradora. Puede que el polvo arda sin llamas y prenda fuego a la aspiradora mucho después de completar el trabajo.

No utilice extracción de polvo con polvos, barniz, revestimientos de poliuretano, limpiadores o pinturas a base de aceite que sean explosivos. Los componentes eléctricos de la aspiradora y la herramienta pueden generar chispas que podrían incendiar los polvos o los vapores.

No utilice extracción de polvo cuando trabaje en metal. Las partículas producidas al lijar, amolar o cortar metal pueden estar calientes y es posible que generen chispas que podrían derretir los adaptadores de plástico y las mangueras de aspiración, y podrían causar un incendio dentro de la bolsa/tanque de la aspiradora.

Advertencias de seguridad adicionales

Mantenga los mangos secos, limpios y libres de aceite y grasa. Las manos resbalosas no pueden controlar de modo seguro la herramienta mecánica.

Desarrolle un programa de mantenimiento periódico de la herramienta. Cuando limpie una herramienta, tenga cuidado de no desmontar ninguna de sus partes, ya que los cables internos podrían reubicarse incorrectamente o pellizcarse, o los resortes de retorno de los protectores de seguridad podrían montarse incorrectamente. Ciertos agentes de limpieza, tales como gasolina, tetracloruro de carbono, amoníaco, etc., podrían dañar las piezas de plástico.

El producto sólo debe recibir servicio de ajustes y reparaciones por un Centro de Servicio de Fábrica Bosch o una Estación de Servicio Bosch Autorizada. Este producto no contiene piezas reparables por el usuario que no sean las que se cubren en este manual.

⚠ ADVERTENCIA Cierta polvos generados por el lijado, aserrado, amolado y taladrado mecánicos, y por otras actividades de construcción, contienen agentes químicos que se sabe que causan cáncer, defectos de nacimiento u otros daños sobre la reproducción. Algunos ejemplos de estos agentes químicos son:

- Plomo de pinturas a base de plomo,
- Sílice cristalina de ladrillos y cemento y otros productos de mampostería, y
- Arsénico y cromo de madera tratada químicamente.

Su riesgo por causa de estas exposiciones varía, dependiendo de con cuánta frecuencia realice este tipo de trabajo. Para reducir su exposición a estos agentes químicos: trabaje en un área bien ventilada y trabaje con equipo de seguridad aprobado, como por ejemplo máscaras antipolvo que estén diseñadas especialmente para impedir mediante filtración el paso de partículas microscópicas.

Símbolos

IMPORTANTE: Es posible que algunos de los símbolos siguientes se usen en su herramienta. Por favor, estúdielos y aprenda su significado. La interpretación adecuada de estos símbolos le permitirá utilizar la herramienta mejor y con más seguridad.

Símbolo	Nombre	Designación/explicación
V	Volt	Tensión (potencial)
A	Ampere	Corriente
Hz	Hertz	Frecuencia (ciclos por segundo)
W	Watt	Potencia
kg	Kilogramo	Peso
min	Minuto	Tiempo
s	Segundo	Tiempo
∅	Diámetro	Tamaño de las brocas taladradoras, muelas, etc
n_0	Velocidad sin carga	Velocidad rotacional sin carga
n	Velocidad nominal	Máxima velocidad obtenible
.../min	Revoluciones o alternación por minuto	Revoluciones, golpes, velocidad de superficie, órbitas, etc., por minuto
0	Posición "off" (apagado)	Velocidad cero, par motor cero...
1, 2, 3, ... I, II, III,	Graduaciones del selector	Graduaciones de velocidad, par motor o posición. Un número más alto significa mayor velocidad
	Selector infinitamente variable con apagado	La velocidad aumenta desde la graduación de 0
	Flecha	Acción en la dirección de la flecha
	Corriente alterna	Tipo o una característica de corriente
	Corriente continua	Tipo o una característica de corriente
	Corriente alterna o continua	Tipo o una característica de corriente
	Construcción de clase II	Designa las herramientas de construcción con aislamiento doble.
	Terminal de toma de tierra	Terminal de conexión a tierra
	Símbolo de advertencia	Alerta al usuario sobre mensajes de advertencia
	Sello RBRC de Li-ion	Designa el programa de reciclaje de baterías de Li-ion
	Sello RBRC de Ni-Cd	Designa el programa de reciclaje de baterías de Ni-Cd
	Símbolo de lectura del manual	Alerta al usuario para que lea el manual
	Símbolo de uso de protección de los ojos	Alerta al usuario para que use protección de los ojos

Símbolos (continuación)

IMPORTANTE: Es posible que algunos de los símbolos siguientes se usen en su herramienta. Por favor, estúdielos y aprenda su significado. La interpretación adecuada de estos símbolos le permitirá utilizar la herramienta mejor y con más seguridad.



Este símbolo indica que esta herramienta está catalogada por Underwriters Laboratories.



Este símbolo indica que esta herramienta está reconocida por Underwriters Laboratories.



Este símbolo indica que Underwriters Laboratories ha catalogado esta herramienta indicando que cumple con las normas estadounidenses y canadienses.



Este símbolo indica que esta herramienta está catalogada por la Canadian Standards Association.



Este símbolo indica que la Canadian Standards Association ha catalogado esta herramienta indicando que cumple con las normas estadounidenses y canadienses.



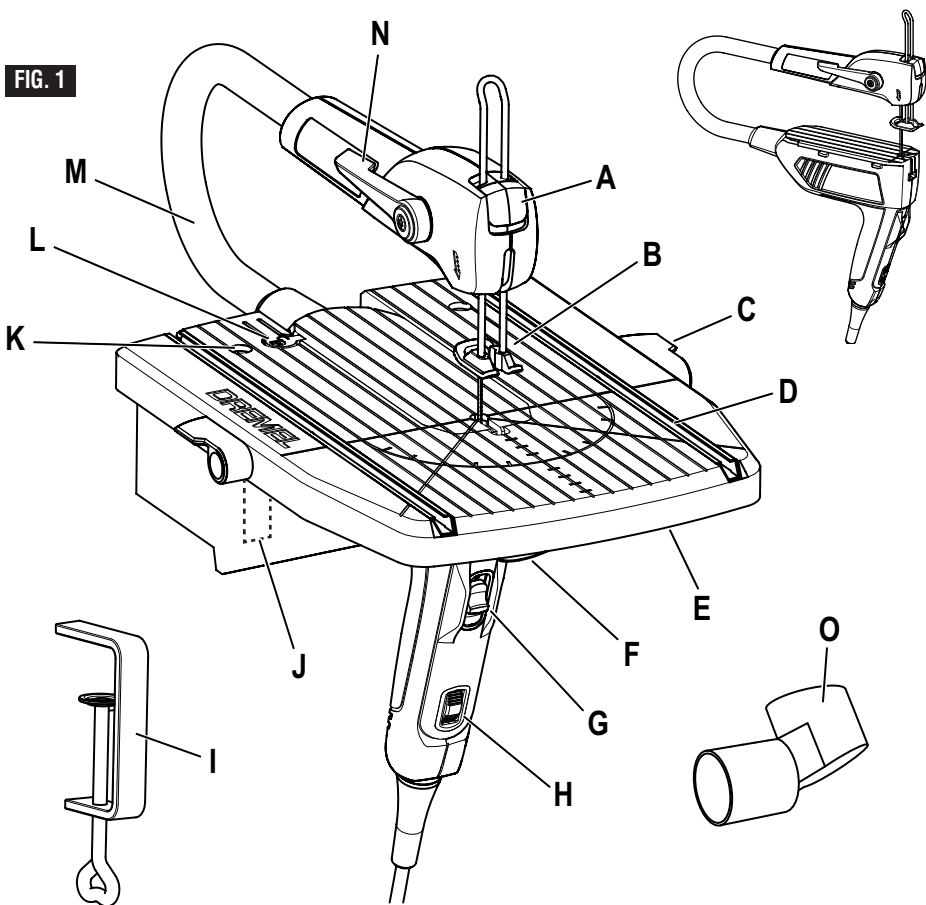
Este símbolo indica que Intertek Testing Services ha catalogado esta herramienta indicando que cumple con las normas estadounidenses y canadienses.



Este símbolo indica que esta herramienta cumple con la norma mexicana oficial (NOM).

Descripción funcional y especificaciones

ADVERTENCIA Desconecte el enchufe de la fuente de energía antes de realizar cualquier ensamblaje o ajuste, o cambiar accesorios. Estas medidas de seguridad preventivas reducen el riesgo de arrancar la herramienta accidentalmente.



- A. Botón de liberación del pie de sujeción
- B. Pie de sujeción
- C. Palanca de fijación del tope-guía
- D. Riel de guía
- E. Base
- F. Conexión de aspiradora
- G. Interruptor de encendido y apagado
- H. Interruptor del dial de velocidad
- I. Abrazaderas de sujeción
- J. Ranura de abrazadera
- K. Agujero de fijación permanente
- L. Botón de liberación rápida
- M. Sierra Moto-Saw
- N. Palanca de cambio rápido de accesorios
- O. Adaptador para polvo de aspiración

Dremel Moto-Saw 2 en 1 Sierra caladora compacta MS20	
Tensión nominal	120V ~ 60Hz
Amperios	0,6 A
Velocidad sin carga	1500 - 2250
Profundidad de garganta	9,84 pulgadas
Longitud de carrera	0,31 pulgadas
Peso	2,4 libras
Longitud de la hoja	3,8 pulgadas

Ensamblaje

⚠ ADVERTENCIA Desconecte el enchufe de la fuente de alimentación antes de realizar cualquier ensamblaje o ajuste, o de cambiar accesorios. Dichas medidas preventivas de seguridad reducen el riesgo de arrancar la herramienta accidentalmente.

Instalación de la hoja en la Moto-Saw

1. Cuando esté orientado hacia al frente de la herramienta, jale la palanca de cambio rápido hacia usted hasta la posición aflojada, Fig. 2.
2. Coloque el extremo inferior con pasador de la hoja de sierra en la esquina inferior del área inferior de sujeción de accesorios. Los dientes de la hoja deben estar orientados hacia abajo, Fig. 3.
3. Coloque el extremo superior con pasador de la hoja de sierra en el área superior de sujeción de accesorios pivotándolo hacia el interior del área de sujeción superior de la herramienta, Fig. 4.
4. Empuje la palanca de cambio rápido alejándola de usted hasta la posición apretada para sujetar firmemente la hoja, Fig. 5.

Para retirar el accesorio, invierta los pasos que anteceden.

FIG. 2

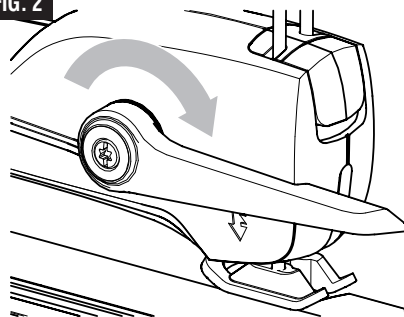


FIG. 3

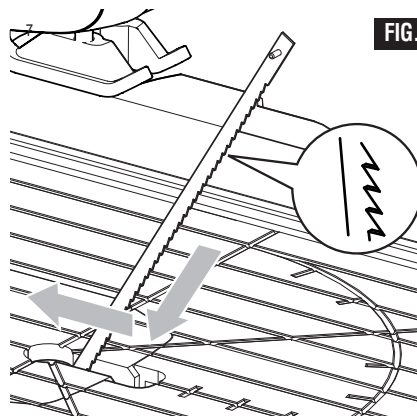


FIG. 4

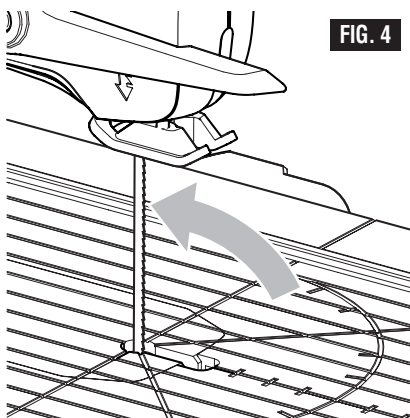
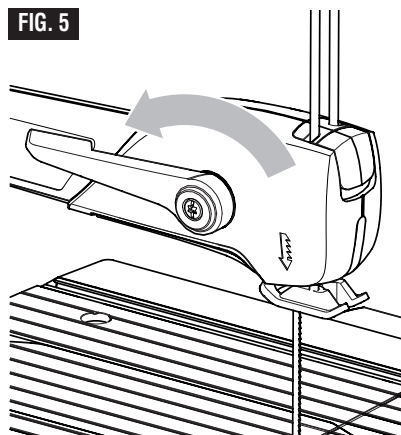


FIG. 5



Ensamblaje de la estación de base para uso estacionario

⚠ ADVERTENCIA Desconecte el enchufe de la fuente de alimentación antes de realizar cualquier ensamble o ajuste, o de cambiar accesorios. Dichas medidas preventivas de seguridad reducen el riesgo de arrancar la herramienta accidentalmente.

Monte la estación de base en una superficie de trabajo plana de altura cómoda. Asegúrese de que la superficie de trabajo tenga un grosor que pueda aceptar las abrazaderas y/o los tornillos de montaje. El montaje de la estación de base en una superficie inestable invita a que se produzca un accidente.

1. Posicione la estación de la sierra en el borde delantero de la superficie de trabajo plana en la que la estación de sierra se sujetará con abrazaderas.
2. Desenrosque las abrazaderas suministradas para asegurarse de que podrán sujetarse a la superficie de trabajo. Deslice el borde plano de la abrazadera al interior de la ranura ubicada en la parte inferior de la estación de sierra y apriete la abrazadera para impedir que la estación de sierra se desplace durante el uso, Fig. 6.

La base se puede sujetar permanentemente a un banco de trabajo con tornillos normales a través de los dos agujeros ubicados en la parte superior de la base, Fig. 7.

3. Pase el cable de alimentación de la Moto-Saw a través del agujero ubicado en el centro de la base, Fig. 8.
4. Baje la Moto-Saw hasta la superficie de la estación de sierra y luego empújela hacia delante hasta que se acople a presión con un clic en la posición bloqueada, Fig. 9.

FIG. 6

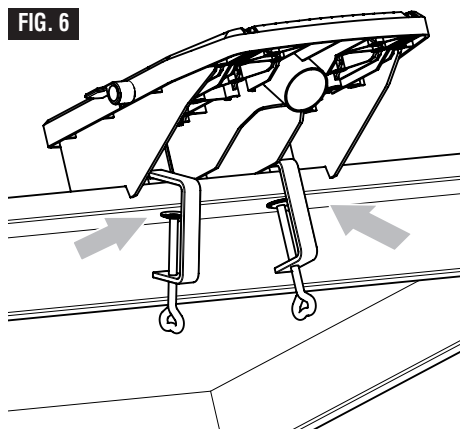


FIG. 7

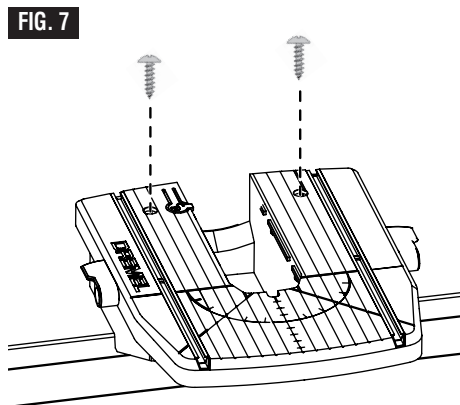


FIG. 8

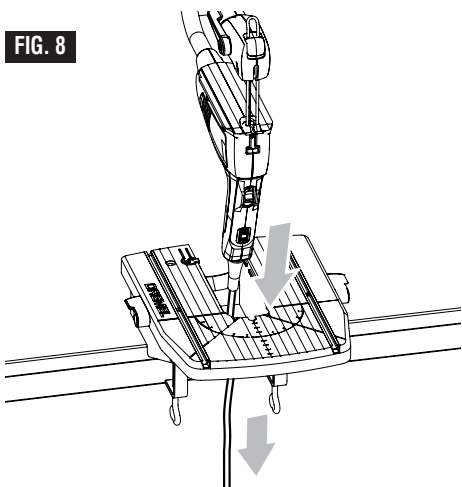
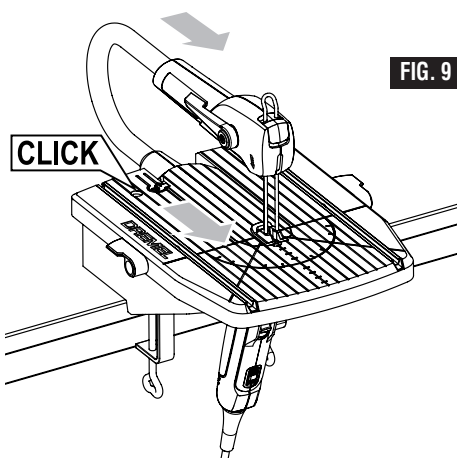


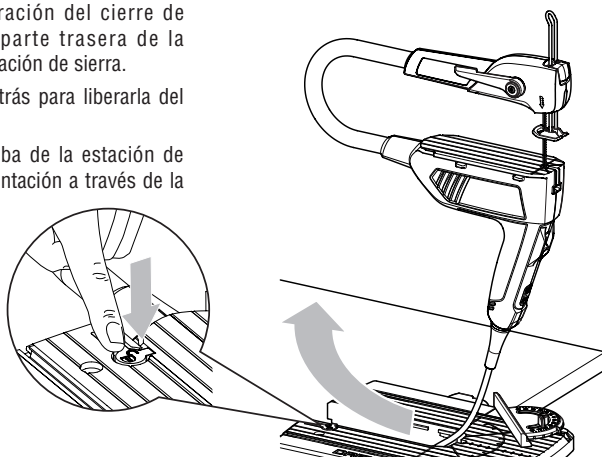
FIG. 9



Para retirar la Moto-Saw con el fin de usarla agarrándola con la mano

1. Desenchufe la Moto-Saw.
2. Presione el botón de liberación del cierre de liberación ubicado en la parte trasera de la superficie de trabajo de la estación de sierra.
3. Deslice la Moto-Saw hacia atrás para liberarla del mecanismo de fijación.
4. Jale la Moto-Saw hacia arriba de la estación de sierra y jale el cable de alimentación a través de la estación de sierra.

FIG. 10



Instalación de la extracción de polvo

Cuando conecte la herramienta a sistemas de recolección y extracción de polvo, asegúrese de que éstos se conecten y utilicen de acuerdo con las instrucciones de la herramienta y de la aspiradora. El uso apropiado de los sistemas de recolección de polvo maximiza la efectividad.

No utilice extracción de polvo cuando trabaje en metal. Las partículas producidas al lijar, amolar o cortar metal pueden estar calientes y es posible que generen chispas que podrían derretir los adaptadores de plástico y las mangueras de aspiración, y podrían causar un incendio dentro de la bolsa/tanque de la aspiradora.

Posicione las mangueras de aspiración de manera que no se bloquee el interruptor de alimentación. Debe mantener despejado el acceso al interruptor de ENCENDIDO Y APAGADO para tener un control completo.

La Moto-Saw incluye un adaptador para polvo de aspiración. El adaptador se puede usar para conectar la manguera de aspiración tanto al lado izquierdo como al lado derecho de la herramienta, Fig. 11.

El exterior del adaptador se puede usar para conectar con un tamaño de 1 5/8 pulgadas y el interior del adaptador se puede usar para conectar con un tamaño de 1 3/8 pulgadas.

1. Instale el adaptador de extracción de polvo en la estación de sierra.
2. Conecte la manguera de aspiración al adaptador de aspiración.

Para retirarla, invierta las instrucciones.

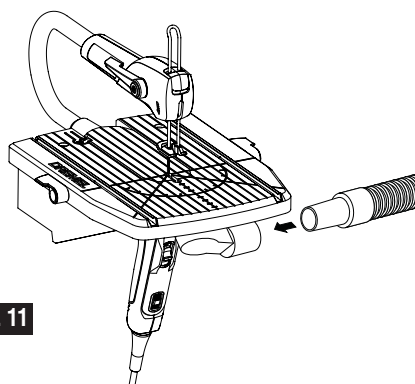
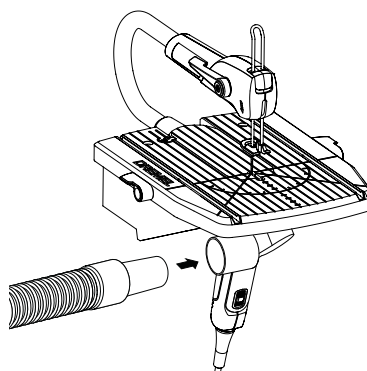


FIG. 11



Instalación del tope-guía / calibre de ingletes (accesorio opcional)

La Moto-Saw puede usar un tope-guía y un calibre de ingletes de combinación.

Para utilización como calibre de ingletes:

1. Para usar el calibre de ingletes, deslice la sección metálica en T al interior de la pista ubicada en la superficie de la estación de sierra, Fig. 12.
2. Gire el pomo ubicado en el calibre de ingletes para ajustar el ángulo del calibre de ingletes y apriételo en el ángulo deseado, Fig. 13.

Para utilización como tope-guía:

1. Instale el calibre de ingletes tal y como se ha descrito anteriormente.
2. Ajuste el ángulo de inglete a 90° y luego deslice el calibre de ingletes hasta la posición deseada del tope-guía, Fig. 14.
3. Rote hacia delante la palanca azul, ubicada a un lado de la estación de sierra, para bloquearla.

Para realizar la remoción, invierta el procedimiento.

FIG. 12

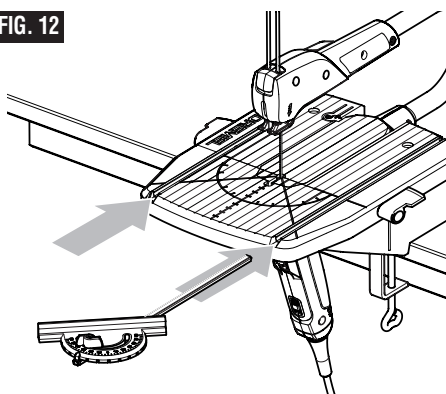


FIG. 13

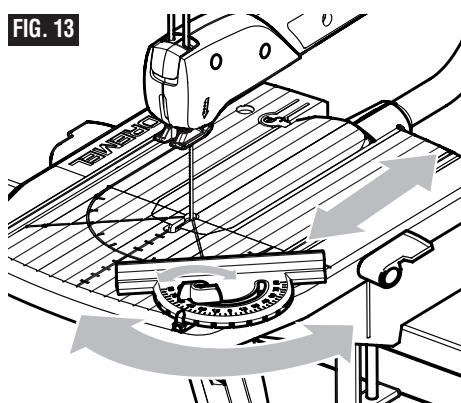
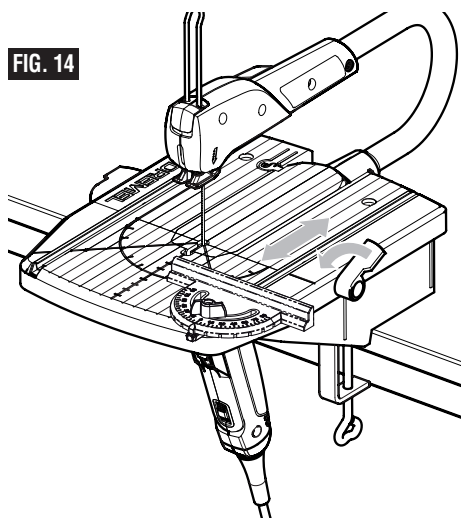


FIG. 14



Instrucciones de funcionamiento

La Moto-Saw es una sierra de contornear 2 en 1 compacta y muy fácil de usar. Se puede utilizar tanto en el modo estacionario, cuando la herramienta está anclada en su base, como en el modo de agarre con la mano. Esta herramienta está diseñada para realizar cortes rectos y curvos precisos en diferentes materiales, incluyendo madera blanda, madera dura, tableros de materiales compuestos, laminado, PVC o chapa metálica blanda, utilizando los accesorios pertinentes recomendados por Dremel.

Los dientes de esta herramienta sólo cortan en la carrera descendente. La pieza de trabajo se debe hacer avanzar hacia la hoja de sierra muy lentamente, debido a que los dientes son pequeños y sólo pueden retirar pequeñas cantidades de material en cada carrera. Si se intenta cortar demasiado rápidamente, se doblará o romperá la hoja.

Para lograr los cortes más precisos, compense la tendencia de las hojas a seguir la veta de la madera mientras usted corta.

Utilización: Modo de agarre con la mano

La utilización de la Moto-Saw en el modo de agarre con la mano se recomienda cuando la pieza de trabajo sea demasiado grande o esté fija y por lo tanto no se pueda poner sobre la base y maniobrar alrededor de ella. La operación típica en el modo de agarre con la mano incluye calar o perfilar piezas de trabajo de madera grandes. No corte materiales que no sean madera en el modo de agarre con la mano.

⚠ ADVERTENCIA No deje nunca al interruptor en la posición de "ENCENDIDO". Antes de enchufar la herramienta, compruebe que los interruptores estén en la posición de "APAGADO". Los arranques accidentales pueden causar lesiones.

1. Agarre la Moto-Saw de la manera que se muestra en la Fig. 15.
2. Ajuste el dial de velocidad variable basándose en la hoja y el material que vaya a cortar. Puede consultar el cuadro de la página 18 para determinar la velocidad apropiada. Este cuadro le permite seleccionar tanto el accesorio correcto como la velocidad óptima con sólo echar un vistazo.
3. Con la pieza de trabajo firmemente sujeta con abrazaderas, lleve la herramienta hacia la pieza de trabajo y ajuste el pie de sujeción de manera que descance sobre la pieza de trabajo, Fig. 16.

⚠ ADVERTENCIA No arranqué nunca la herramienta cuando la hoja esté en contacto con la pieza de trabajo. Deje que el motor alcance la velocidad máxima antes de comenzar un corte. Tener la hoja en contacto con la pieza de trabajo durante el arranque de la herramienta puede causar pérdida de control.

FIG. 15

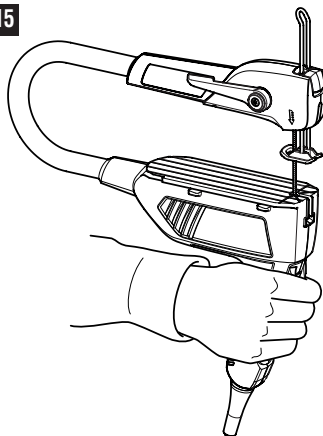
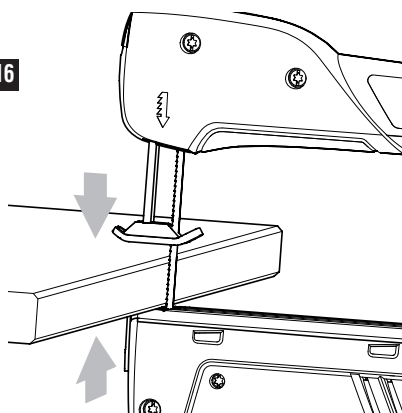


FIG. 16



4. ENCIENDA la herramienta y deje que alcance la velocidad máxima antes de contactar la pieza de trabajo. La herramienta se ENCIENDE por medio del interruptor deslizante ubicado en la parte delantera del mango principal.

PARA ENCENDER LA HERRAMIENTA, deslice hacia arriba el botón del interruptor.

5. Haga avanzar lentamente la pieza de trabajo hacia la hoja mientras guía el corte.

⚠ ADVERTENCIA No fuerce la sierra hacia la pieza de trabajo y a través de ella. Si lo hace, podría poner en peligro la precisión del corte y es posible que la hoja se rompa por causa de la fuerza excesiva.

6. Cuando haya completado el corte, mueva la herramienta y la hoja hasta separarlas de la pieza de trabajo y ponga al interruptor en la posición de APAGADO.

PARA APAGAR LA HERRAMIENTA, deslice hacia abajo el botón del interruptor.

Modo estacionario

La utilización de la Moto-Saw en modo estacionario le ofrece la libertad de cortar sujetando la pieza de trabajo con las dos manos. En este modo, usted puede completar diferentes proyectos de hobbies o trabajo de la madera, cortando fácilmente y con precisión piezas de trabajo de madera, plástico y metal delgado cuando utilice la hoja correcta.

⚠ ADVERTENCIA No deje nunca al interruptor en la posición de "ENCENDIDO". Antes de enchufar la herramienta, compruebe que los interruptores estén en la posición de "APAGADO". Los arranques accidentales podrían causar lesiones.

1. Asegúrese de que la base esté firmemente sujeta a una superficie de trabajo plana con la ayuda de las abrazaderas provistas o asegurada con tornillos.
2. Ajuste el dial de velocidad variable basándose en la hoja y el material que vaya a cortar. Puede consultar el cuadro de la página 18 para determinar la velocidad apropiada. Este cuadro le permite seleccionar tanto el accesorio correcto como la velocidad óptima con sólo echar un vistazo. Para reducir las vibraciones cuando se corte en plásticos y chapa metálica, coloque la pieza de trabajo sobre un pedazo de cartón que haga de amortiguador. Corte atravesando ambos materiales para lograr un corte más limpio y más preciso.
3. Lleve la pieza de trabajo hasta la herramienta.

⚠ ADVERTENCIA Mantenga las manos alejadas del área de corte. No sujete con las manos piezas que sean tan pequeñas que los dedos vayan debajo del pie bajable. No ponga las manos ni los dedos debajo de la pieza de trabajo o en el recorrido de corte de la hoja por ningún motivo. Una gran proximidad de las manos a la hoja puede causar contacto con la hoja y lesiones.

4. Presione hacia abajo el pie de sujeción sobre la pieza de trabajo para impedir que rebote.

⚠ ADVERTENCIA No arranque nunca la herramienta cuando la hoja esté en contacto con la pieza de trabajo. Deje que el motor alcance la velocidad máxima antes de comenzar un corte. Tener la hoja en contacto con la pieza de trabajo durante el arranque puede causar pérdida de control.

5. ENCIENDA la herramienta y deje que alcance la velocidad máxima antes de contactar la pieza de trabajo. La herramienta se ENCIENDE por medio del interruptor deslizante ubicado en la parte delantera del mango principal.

PARA ENCENDER LA HERRAMIENTA, deslice hacia arriba el botón del interruptor.

⚠ ADVERTENCIA No fuerce la sierra hacia la pieza de trabajo y a través de ella. Si lo hace, podría poner en peligro la precisión del corte y es posible que la hoja se rompa por causa de la fuerza excesiva.

6. Cuando haya completado el corte, mueva el borde de salida de la pieza de trabajo más allá del pie de sujeción y ponga al interruptor en la posición de APAGADO.

PARA APAGAR LA HERRAMIENTA, deslice hacia abajo el botón del interruptor.

Corte interior: Modo de agarre con la mano

1. Coloque el perfil del diseño de la pieza de trabajo. Taladre un agujero de $\frac{1}{4}$ de pulgada en la pieza de trabajo.
2. Retire la hoja de la sierra. Consulte la sección "Instalación de la hoja en la Moto-Saw".
3. Consulte la sección "Instalación de la hoja en la Moto-Saw" y reinstale la hoja a través del agujero ubicado en la pieza de trabajo.
4. Siga los pasos tres a cinco de "Utilización: Modo de agarre con la mano".
5. Cuando haya completado el corte, consulte la sección "Instalación de la hoja en la Moto-Saw" para retirar la hoja de sierra con el fin de liberar la pieza de trabajo.

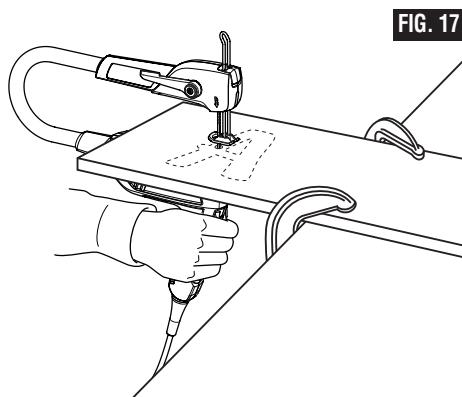


FIG. 17

Corte interior: Modo estacionario

1. Coloque el perfil del diseño de la pieza de trabajo. Taladre un agujero de $\frac{1}{4}$ de pulgada en la pieza de trabajo.
2. Retire la hoja de la sierra. Consulte la sección "Instalación de la hoja en la Moto-Saw".
3. Coloque la pieza de trabajo sobre la mesa de la sierra con el agujero ubicado en la pieza de trabajo sobre el agujero de acceso ubicado en la mesa.
4. Consulte la sección "Instalación de la hoja en la Moto-Saw" y reinstale la hoja a través del agujero ubicado en la pieza de trabajo.
5. Siga los pasos de "Utilización: Modo estacionario".
6. Cuando haya completado el corte, consulte la sección "Instalación de la hoja en la Moto-Saw" para retirar la hoja de sierra con el fin de liberar la pieza de trabajo.

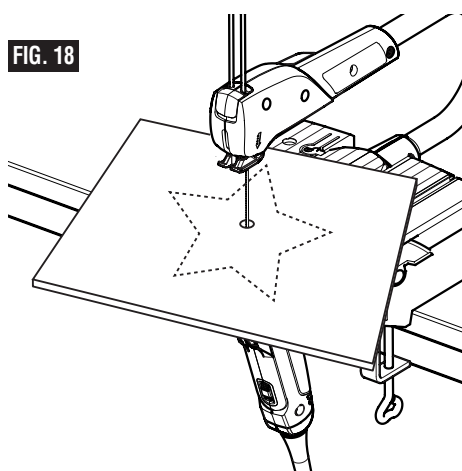


FIG. 18

Corte lateral

La utilización de la Moto-Saw con una hoja de corte lateral le permite hacer cortes de izquierda a derecha o de derecha a izquierda a través de la herramienta. En esta configuración usted tiene la capacidad de trabajar con piezas más largas de materiales de madera y plástico que pueden ser demasiado grandes para cortarlas en sentido de delante atrás, ya que el material no llegará a la parte trasera de la herramienta. No corte metal lateralmente.

1. Consulte la sección "Instalación de la hoja en la Moto-Saw" e instale la hoja de corte lateral MS50 en la Moto-Saw.
2. Siga los pasos de "Utilización: Modo de agarre con la mano" para cortar madera lateralmente o "Utilización: Modo estacionario" para cortar madera y plástico lateralmente.

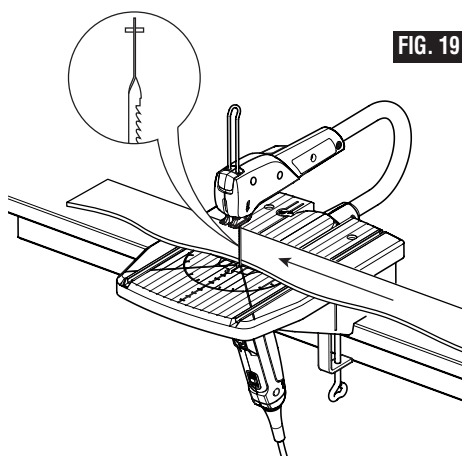


FIG. 19

Información de mantenimiento

Servicio

ADVERTENCIA Desconecte el enchufe de la fuente de energía y/o el paquete de batería de la herramienta mecánica antes de hacer cualquier ajuste, cambiar accesorios o almacenar herramientas mecánicas. Dichas medidas preventivas de seguridad reducen el riesgo de arrancar accidentalmente la herramienta mecánica.

El producto sólo debe recibir servicio de ajustes y reparaciones por un Centro de Servicio de Fábrica Bosch o una Estación de Servicio Bosch Autorizada. Este producto no contiene piezas reparables por el usuario que no sean las que se cubren en este manual.

Limpieza

ADVERTENCIA Para evitar accidentes desconecte siempre la herramienta de la fuente de energía antes de la limpieza o de la realización de cualquier mantenimiento. La herramienta se puede limpiar más eficazmente con aire comprimido seco. Use gafas de seguridad siempre que limpie herramientas con aire comprimido.

Las aberturas de ventilación y las palancas de interruptor deben mantenerse limpias y libres de materias extrañas. No intente limpiar introduciendo objetos puntiagudos a través de las aberturas.

PRECAUCION Ciertos agentes de limpieza y disolventes dañan las piezas de plástico. Algunos de estos son: gasolina, tetracloruro de carbono, disolventes de limpieza clorados, amoníaco y detergentes domésticos que contienen amoníaco.

Cordones de extensión

ADVERTENCIA Si es necesario un cordón de extensión, se debe usar un cordón con conductores de tamaño adecuado que sea capaz de transportar la corriente necesaria para la herramienta. Esto evitará caídas de tensión excesivas, pérdida de potencia o recalentamiento. Las herramientas conectadas a tierra deben usar cordones de extensión de 3 hilos que tengan enchufes de 3 terminales y receptáculos para 3 terminales.

NOTA: Cuanto más pequeño es el número de calibre, más grueso es el cordón.

TAMAÑOS RECOMENDADOS DE CORDONES DE EXTENSION HERRAMIENTAS DE 120 V CORRIENTE ALTERNA

Capacidad nominal en amperes de la herramienta	Tamaño del cordón en A.W.G.				Tamaños del cable en mm ²			
	Longitud del cordón en pies				Longitud del cordón en metros			
	25	50	100	150	15	30	60	120
2-6	18	16	16	14	0,75	0,75	1,5	2,5
6-8	18	16	14	12	0,75	1,0	2,5	4,0
8-10	18	16	14	12	0,75	1,0	2,5	4,0
10-12	16	16	14	12	1,0	2,5	4,0	—
12-16	14	12	—	—	—	—	—	—

Accesorios para la Dremel

ADVERTENCIA Utilice únicamente hojas Dremel Moto-Saw. Use el tamaño y estilo de hoja correctos, así como la velocidad de corte de adecuada para el material y el tipo de corte. El uso de una hoja apropiada minimiza el riesgo de rotura.

Los dientes de las hojas Moto-Saw se desgastan y éstas deben ser reemplazadas frecuentemente para obtener los mejores resultados de corte.

Las hojas Moto-Saw están diseñadas para permanecer afiladas durante ½ hora a 2 horas de corte.

La vida útil de la hoja depende del material que se esté cortando, su grosor, el tipo de hoja y el usuario.

Los usuarios pueden acortar la vida útil de la hoja al empujar con demasiada fuerza cuando cortan.

Hojas Moto-Saw

Hoja general para madera y plástico MS51

Diseñada para hacer cortes rectos y curvos de diámetro más grande en materiales tales como madera blanda, laminado y plásticos.

Hoja para cortar madera fina MS52

Diseñada para hacer cortes rectos y cortes curvos intrincados de diámetro más pequeño en materiales tales como madera blanda, laminado y plásticos.

Hoja para cortar metal MS53

Diseñada para hacer cortes rectos y curvos en chapa metálica blanda.

Hoja de corte lateral MS50

Diseñada para hacer cortes rectos y curvos largos en piezas más grandes de madera blanda y materiales de plástico.

Posiciones de velocidad

Material		Velocidad de la herramienta	Grosor recomendado	Hoja para madera y plástico MS51	Hoja para madera fina MS52	Hoja para metal MS53	Hoja de corte lateral MS50
Madera	Madera contrachapada	6	0,75 pulgadas	x	x		x
	Pino	6	0,75 pulgadas	x	x		x
	Álamo	6	0,75 pulgadas	x	x		x
	Balsa	6	1,75 pulgadas	x	x		x
	Pisos laminados	6	0,5 pulgadas	x	x		x
Metal	HVAC	6	calibre 20			x	
	ESTAÑO	6	calibre 20			x	
	Lámina de Al	6	calibre 20			x	
	Chapa metálica gal.	6	calibre 20			x	
Plástico	Plexiglás	4	0,2 pulgadas	x	x		x
	tubo de PVC	4	0,75 pulgadas	x	x		x

Consejos para la sierra de contornear/Moto-Saw

- Hay tres cosas que tendrán un gran efecto en el corte cuando se utilice una sierra del tipo de contornear:
 1. El material que se esté cortando.
 2. La velocidad de la hoja (carreras por minuto de la hoja).
 3. La velocidad de corte (qué tan rápido se empuja el material hacia la hoja).
- No hay UNA hoja que sea la mejor para cada trabajo dado.
- Se debe usar una hoja gruesa para material más grueso y una hoja más fina para material más delgado. Cuanto más delgada sea la hoja, más pronunciada será la vuelta que puede ejecutar.
- Debería haber siempre de 3 a 4 dientes en contacto con la pieza de trabajo en todo momento.
- El corte de material duro, como metal, y el de material que se puede derretir, como el de tipo acrílico, generalmente requerirá una velocidad más lenta en la herramienta y una velocidad de avance más lenta.
- El mejor punto de comienzo en cualquier corte es un punto o una esquina, porque usted puede controlar la intersección del corte y hacerlo tan liso como sea necesario.
- Ciertas acciones requerirán práctica, como cortar una esquina o una vuelta de 180°.
- Las sierras que contornean pueden presentar un reto cuando se intenta realizar un corte recto. Con un poco de práctica es fácil hacerlo. Practique para compensar la veta girando ligeramente el material para permanecer en una línea recta. Una vez que se haya determinado el grado de compensación para cualquier material, poder cortar una línea recta será sólo cuestión de selección de la hoja, velocidad de la herramienta y velocidad de avance de la pieza de trabajo.
- Si una hoja parece estar cortando lentamente o parece desviarse con pocos medios de control, lo más probable es que se esté desafilando. Nada puede sustituir a una hoja afilada. Tanto la madera como el metal desafilarán una hoja rápidamente. Si se están completando muchos cortes, cambie la hoja tan a menudo como sea necesario.

Garantía limitada de Dremel®

Su producto Dremel está garantizado contra defectos de material o de fabricación durante un período de dos años a partir de la fecha de compra. En caso de que un producto no se ajuste a esta garantía escrita, por favor, tome las medidas siguientes:

1. NO devuelva el producto al lugar de compra.
2. Empaquete el producto cuidadosamente y solo, sin otros artículos, y envíelo con el porte pagado junto con:
 - A. Una copia de la prueba de compra fechada (por favor, conserve una copia para usted).
 - B. Una explicación por escrito de la naturaleza del problema.
 - C. Su nombre, dirección y número de teléfono a:

ESTADOS UNIDOS
Dremel Service Center
4915 21st Street
Racine, WI 53406

O

CANADÁ
 Giles Tool Agency
 47 Granger Av.
 Canada M1K 3K9 1-416-287-3000

FUERA DE LOS TERRITORIOS CONTINENTALES DE LOS EE.UU.

Vea al distribuidor local o escriba a Dremel, 4915 21st Street Racine, WI 53406

Recomendamos que el paquete sea asegurado contra pérdida o daños durante el transporte por los cuales no podemos ser responsables.

Esta garantía tiene validez únicamente para el comprador original inscrito. LOS DAÑOS AL PRODUCTO PRODUCIDOS POR MANIPULACION INCORRECTA, ACCIDENTE, ABUSO, NEGLIGENCIA, REPARACIONES O ALTERACIONES NO AUTORIZADAS, ACCESORIOS NO APROBADOS U OTRAS CAUSAS NO RELACIONADAS CON PROBLEMAS DEL MATERIAL O LA FABRICACION NO ESTAN CUBIERTOS POR ESTA GARANTIA.

Ningún empleado, agente, distribuidor, ni ninguna otra persona está autorizado a dar ninguna garantía en nombre de Dremel. Si la inspección de Dremel demuestra que el problema fue causado por problemas con el material o la fabricación dentro de los límites de la garantía, Dremel reparará o reemplazará el producto gratuitamente y devolverá el producto con el porte pagado. Las reparaciones necesarias debido al desgaste normal o al abuso, o las reparaciones de productos que se encuentren fuera del período de garantía, en caso de que se puedan realizar, se cobrarán a precios de fábrica normales.

DREMEL NO DA NINGUNA OTRA GARANTIA DE NINGUN OTRO TIPO, EXPRESA O IMPLICITA, Y TODAS LAS GARANTIAS IMPLICITAS DE COMERCIABILIDAD E IDONEIDAD PARA UN PROPOSITO ESPECIFICO QUE EXCEDEN LA OBLIGACION MENCIONADA ANTERIORMENTE QUEDAN POR LA PRESENTE RECHAZADAS POR PARTE DE DREMEL Y ESTAN EXCLUIDAS DE ESTA GARANTIA LIMITADA.

Esta garantía le confiere a usted derechos legales específicos y es posible que usted también tenga otros derechos que varían de un estado a otro. La obligación del garante consiste únicamente en reparar o reemplazar el producto. El garante no es responsable de ningún daño incidental o emergente debido a cualquiera de dichos defectos alegados. Algunos estados no permiten la exclusión o limitación de los daños incidentales o emergentes, por lo que es posible que las limitaciones o la exclusión anteriores no sean aplicables en el caso de usted.

Para precios y cumplimiento de la garantía en los territorios continentales de los Estados Unidos, póngase en contacto con el distribuidor local Dremel.

Exportado por: © Robert Bosch Tool Corporation Mt. Prospect, IL 60056 -2230, E.U.A.

Importado a México por: Robert Bosch, S. de R.L. de C.V.
 Calle Robert Bosch No. 405 - 50071 Toluca, Edo. de Méx. - México
 Tel. 052 (722) 279 2300 ext 1160 / Fax. 052 (722) 216-6656

